

PARTS LIST

[XV-521BK/523GD]

* All printed circuit boards and its assemblies are not available as service parts.

XV-521BK

Area suffix

UF ----- China
 1U -----US military
 3U Malaysia, Thailand, Philippines

XV-523GD

Area suffix

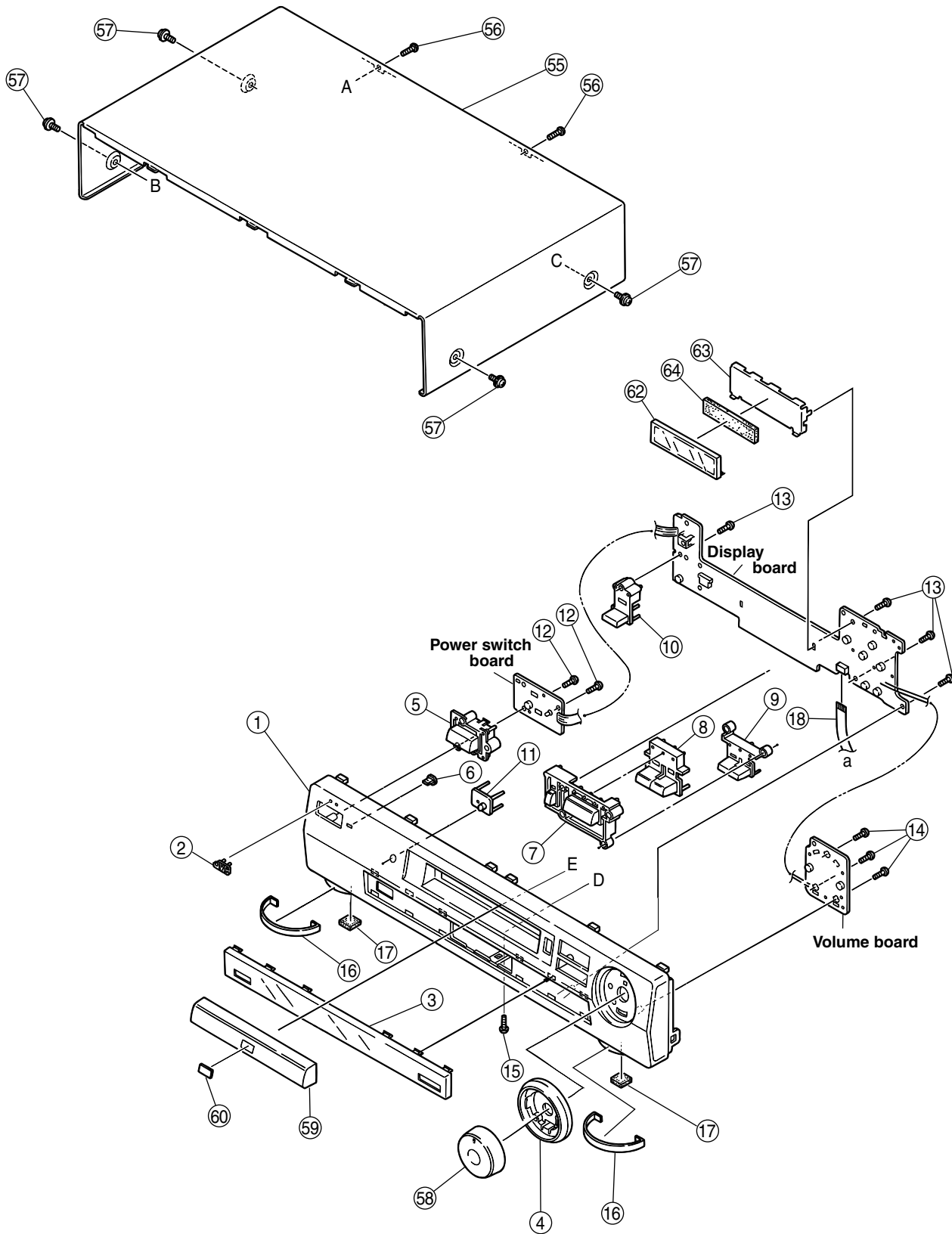
A ----- Australia
 UB ----- Hong Kong
 UF ----- China
 US ----- Singapore
 2U - Turkey, South Africa, Egypt
 3U Malaysia, Thailand, Philippines
 4U ----- Brazil, Mexico, Peru

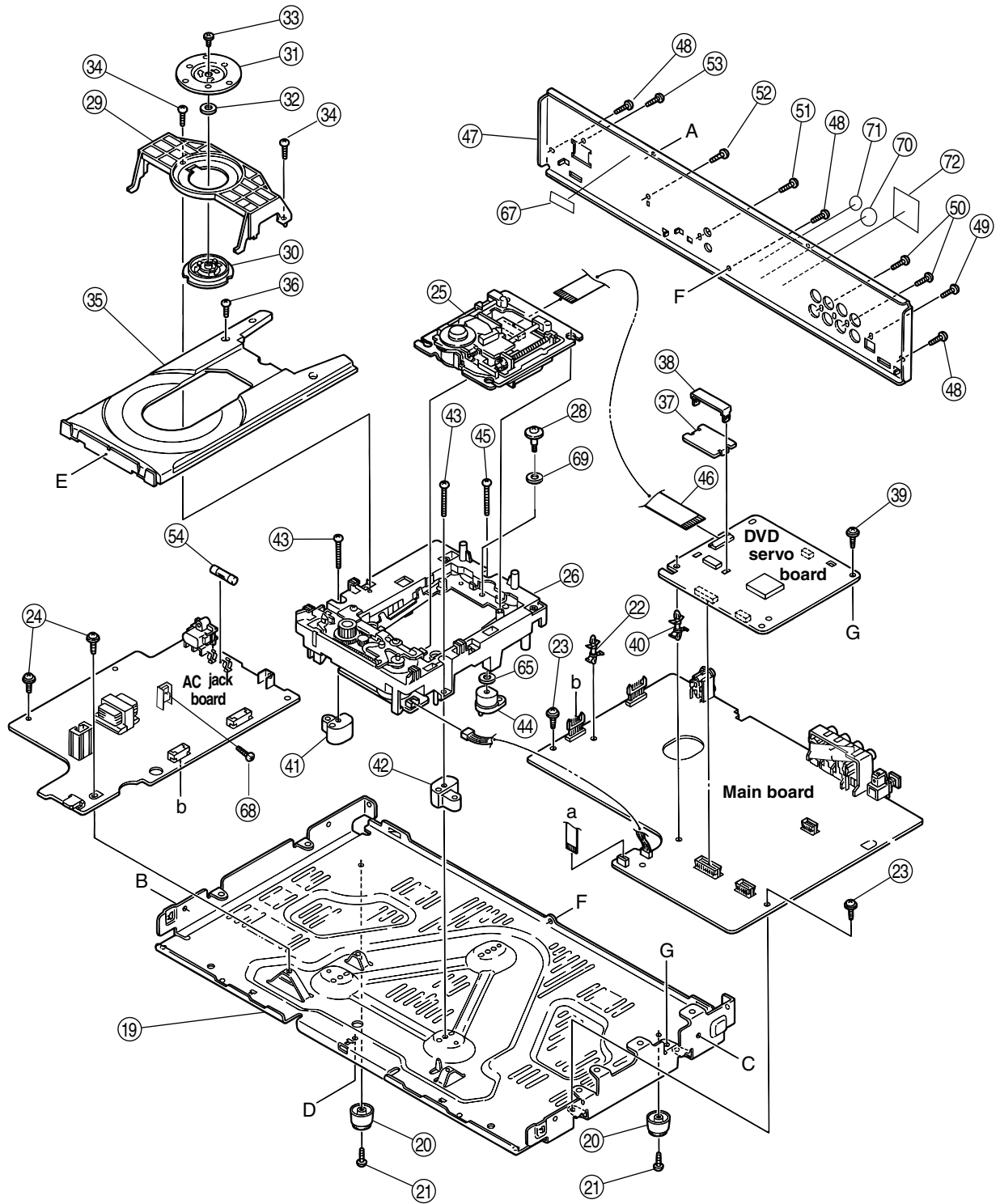
- Contents -

| | |
|--|------|
| Exploded view of general assembly and parts list | 3-2 |
| DVD mechanism assembly and parts list | 3-6 |
| DVD loading base assembly and parts list | 3-8 |
| Electrical parts list | 3-10 |
| Packing materials and accessories parts list | 3-20 |

Exploded view of general assembly and parts list

Block No. M 1 M M





■ Parts list (General assembly)

Block No. M1MM

| △ | Item | Parts number | Parts name | Q'ty | Description | Area |
|---|------|---------------|-----------------|------|-----------------|-------|
| | 1 | LV10320-205A | FRONT PANEL | 1 | XV-521BK | UF,3U |
| | | LV10320-208A | FRONT PANEL | 1 | XV-523GD | |
| | | LV10320-001A | FRONT PANEL | 1 | | 1U |
| | 2 | VJD5429-001SS | JVC MARK | 1 | | |
| | 3 | LV20630-001A | FRONT LENS(A) | 1 | | 1U |
| | | LV20630-004A | FRONT LENS(A) | 1 | XV-523GD | |
| | | LV20630-002A | FRONT LENS(A) | 1 | XV-521BK | UF,3U |
| | 4 | LV31163-002A | SHUTTLE RING | 1 | XV-523GD | |
| | | LV31163-001A | SHUTTLE RING | 1 | XV-521BK | |
| | 5 | LV31655-003A | POWER BUTTON | 1 | XV-523GD | |
| | | LV31655-001A | POWER BUTTON | 1 | | 1U |
| | | LV31655-002A | POWER BUTTON | 1 | XV-521BK | UF,3U |
| | 6 | FSJD4001-002 | INDICATOR | 1 | FOR POWER LED | |
| | 7 | LV31656-002A | PLAY BUTTON | 1 | XV-523GD | |
| | | LV31656-001A | PLAY BUTTON | 1 | XV-521BK | |
| | 8 | LV31657-001A | STOP BUTTON | 1 | XV-521BK | |
| | | LV31657-002A | STOP BUTTON | 1 | XV-523GD | |
| | 9 | LV31658-002A | PUSH BUTTON | 1 | XV-523GD | |
| | | LV31658-001A | PUSH BUTTON | 1 | XV-521BK | |
| | 10 | LV31659-001A | PUSH BUTTON(3D) | 1 | 3D PHONIC | |
| | 11 | E308744-003 | REMOTE LENS | 1 | XV-523GD | |
| | | E308744-002 | REMOTE LENS | 1 | XV-521BK | |
| | 12 | QYSBSF2608Z | T.SCREW | 2 | BIND --> BRAZIE | |
| | 13 | QYSBSF2608Z | T.SCREW | 4 | BIND --> BRAZIE | |
| | 14 | QYSBSF2608Z | T.SCREW | 3 | BIND --> BRAZIE | |
| | 15 | QYSBSG3008M | T.SCREW | 1 | ADJUST FOR FITT | |
| | 16 | LV31790-201A | FOOT PLATE | 2 | FOR FRONT | |
| | 17 | E75896-001 | FELT SPACER | 2 | FOR FOOT | |
| | 18 | QUQB12-0809AJ | FFC WIRE | 1 | FRONT --> AUDIO | |
| | 19 | LV10321-001A | CHASSIS BASE | 1 | | |
| | 20 | E47227-008 | FOOT | 2 | REAR | |
| | 21 | QYSBST3008Z | T.SCREW | 2 | FOR FOOT | |
| | 22 | LV41875-001A | FASTENER | 1 | SYSTEM + POWER | |
| | 23 | QYSBSGG3006Z | SCREW | 2 | SYSTEM + CHASSI | |
| | 24 | QYSBSGG3006Z | SCREW | 2 | POWER + CHASSIS | |
| | 25 | ----- | DVD TRAVERSE ME | 1 | | |
| | 26 | ----- | DVD LOADING BAS | 1 | | |
| | 28 | E406293-001 | SPECIAL SCREW | 1 | FOR ELEVATOR BA | |
| | 29 | E26756-222SS | CD CLAMPER BASE | 1 | | |
| | 30 | LV31675-002A | CLAMPER | 1 | | |
| | 31 | LV31676-001A | YOKE | 1 | | |
| | 32 | LV41118-002A | MAGNET | 1 | | |
| | 33 | LV41741-001A | SPECIAL SCREW | 1 | CLAMPER + YOKE | |
| | 34 | QYSBSF3008M | SCREW | 2 | C.BASE + L.BASE | |
| | 35 | LV10324-001A | TRAY | 1 | | |
| | 36 | QYSBSF3008M | SCREW | 1 | FOR TRAY STOPPE | |
| | 37 | LV41362-201A | HEAT SINK | 1 | FOR IC ON MODUL | |
| | 38 | LV41363-202A | HOLDER | 1 | FOR HEAT SINK | |

Parts list (General assembly)

Block No. M1MM

| △ | Item | Parts number | Parts name | Q'ty | Description | Area |
|---|------|-----------------|---------------|------|-----------------|----------|
| | 39 | QYSBSGG3006Z | SCREW | 1 | MODULE + CHASSI | |
| | 40 | E408621-002 | FASTENER | 1 | SYSTEM + MODULE | |
| | 41 | E309322-001SC | STAND(L) | 1 | MECHA FORE SIDE | |
| | 42 | E309321-001SC | STAND(R) | 1 | MECHA FORE SIDE | |
| | 43 | QYSBST3020Z | T.SCREW | 2 | MECHA + CHASSIS | |
| | 44 | E309323-001SC | STAND(REAR) | 1 | MECHA REAR SIDE | |
| | 45 | QYSBST3020Z | T.SCREW | 1 | MECHA + CHASSIS | |
| | 46 | QUQ605-4015AJ | FFC WIRE | 1 | MECHA --> MODUL | |
| | 47 | LV20698-020A | REAR PANEL | 1 | | A |
| | | LV20698-005A | REAR PANEL | 1 | XV-521BK | 3U |
| | | LV20698-013A | REAR PANEL | 1 | | 4U |
| | | LV20698-015A | REAR PANEL | 1 | XV-523GD | UF |
| | | LV20698-012A | REAR PANEL | 1 | XV-523GD | UB,US,3U |
| | | LV20698-011A | REAR PANEL | 1 | | 2U |
| | | LV20698-007A | REAR PANEL | 1 | XV-521BK | UF |
| | | LV20698-004A | REAR PANEL | 1 | | 1U |
| | 48 | QYSBSGY3008M | SPECIAL SCREW | 3 | REAR + CHASSIS | |
| | 49 | QYSBSGY3008M | SPECIAL SCREW | 1 | DIGITAL OUT | |
| | 50 | QYSBSGY3008M | SPECIAL SCREW | 2 | LEFT & RIGHT ON | |
| | 51 | QYSBSGY3008M | SPECIAL SCREW | 1 | COMPU LINK | |
| | 52 | QYSBSGY3008M | SPECIAL SCREW | 1 | GND TERMINAL | |
| | 53 | QYSBSGY3008M | SPECIAL SCREW | 1 | AC INLET | |
| △ | 54 | QMF51E2-1R6-J1 | FUSE | 1 | | |
| | 55 | LE20082-004A/S/ | METAL COVER | 1 | XV-521BK | |
| | | LE20082-002A/S/ | METAL COVER | 1 | XV-523GD | |
| | 56 | QYSBSGY3008M | SPECIAL SCREW | 2 | METAL + REAR | |
| | 57 | E406308-004 | SPECIAL SCREW | 4 | XV-523GD | |
| | | E406308-003 | SPECIAL SCREW | 4 | XV-521BK | |
| | 58 | LE30714-001A | KNOB | 1 | XV-521BK | |
| | | LE30714-005A | KNOB | 1 | XV-523GD | |
| | 59 | LV20631-002A | FITTING | 1 | XV-523GD | |
| | | LV20631-001A | FITTING | 1 | XV-521BK | |
| | 60 | LE40564-002A | MARK | 1 | NEW DVD LOGO MA | |
| | 62 | QLF0064-001 | FL TUBE | 1 | DI801 | |
| | 63 | E308192-331SC | FL HOLDER | 1 | BK801 | |
| | 64 | E306805-134 | SPACER | 1 | | |
| | 65 | LV30226-018A | SPACER | 1 | | |
| | 67 | LV40231-001A | CAUTION LABEL | 1 | REAR INSIDE | |
| | 68 | QYSBSE3008Z | SCREW | 1 | | |
| | 69 | LV30226-021A | SPACER | 1 | | UF |
| △ | 70 | LV41768-001A | CCIB LABEL | 1 | REAR OUTSIDE | UF |
| △ | 71 | E409372-001 | CCEE LABEL | 1 | REAR OUTSIDE | UF |
| △ | 72 | LV30092-088A | UF LABEL | 1 | | UF |

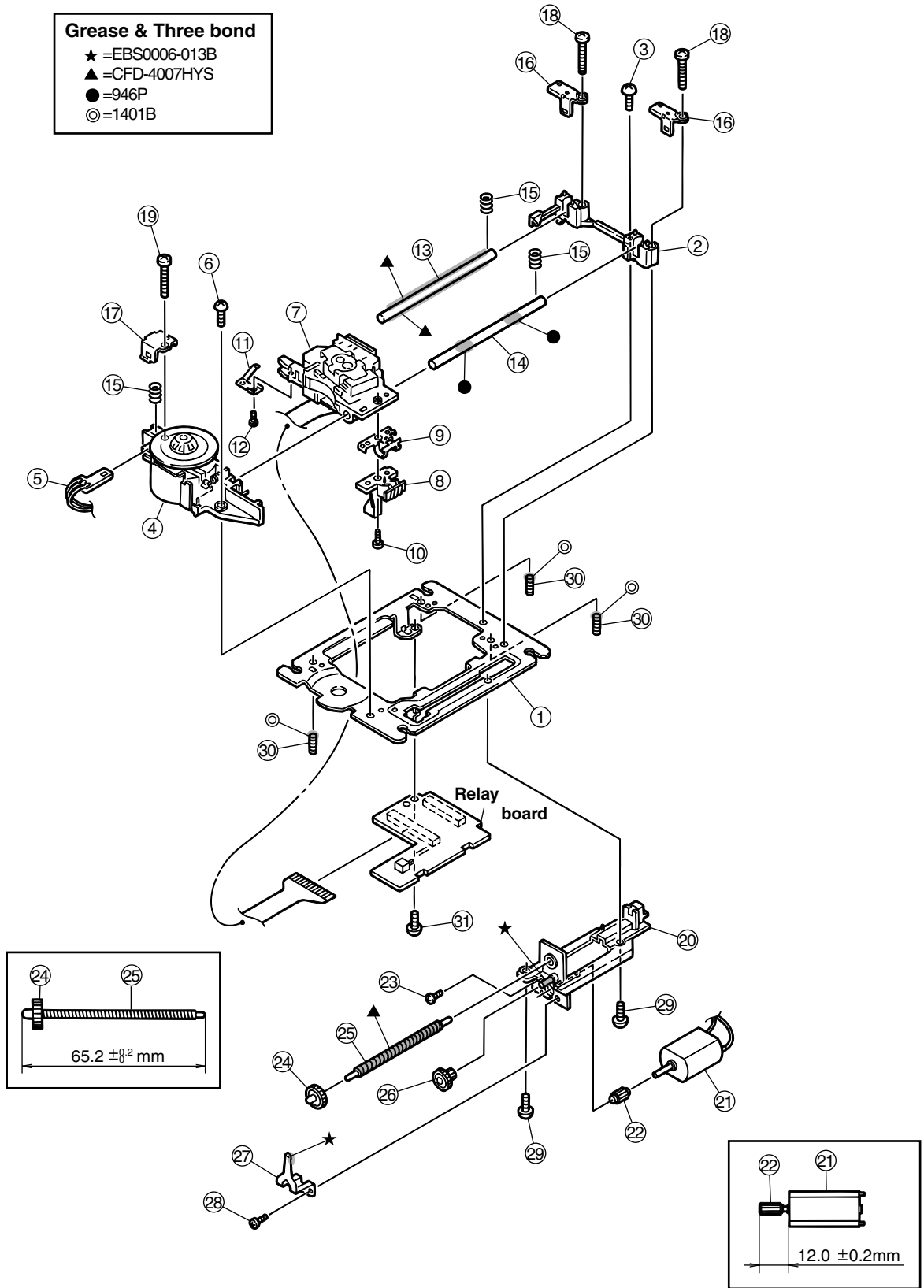
DVD mechanism assembly and parts list

Block No. M 2 M M

FXL-V6-1C

Grease & Three bond

- ★ =EBS0006-013B
- ▲ =CFD-4007HYS
- =946P
- ◎ =1401B



Parts list (DVD mechanism)

Block No. M2MM

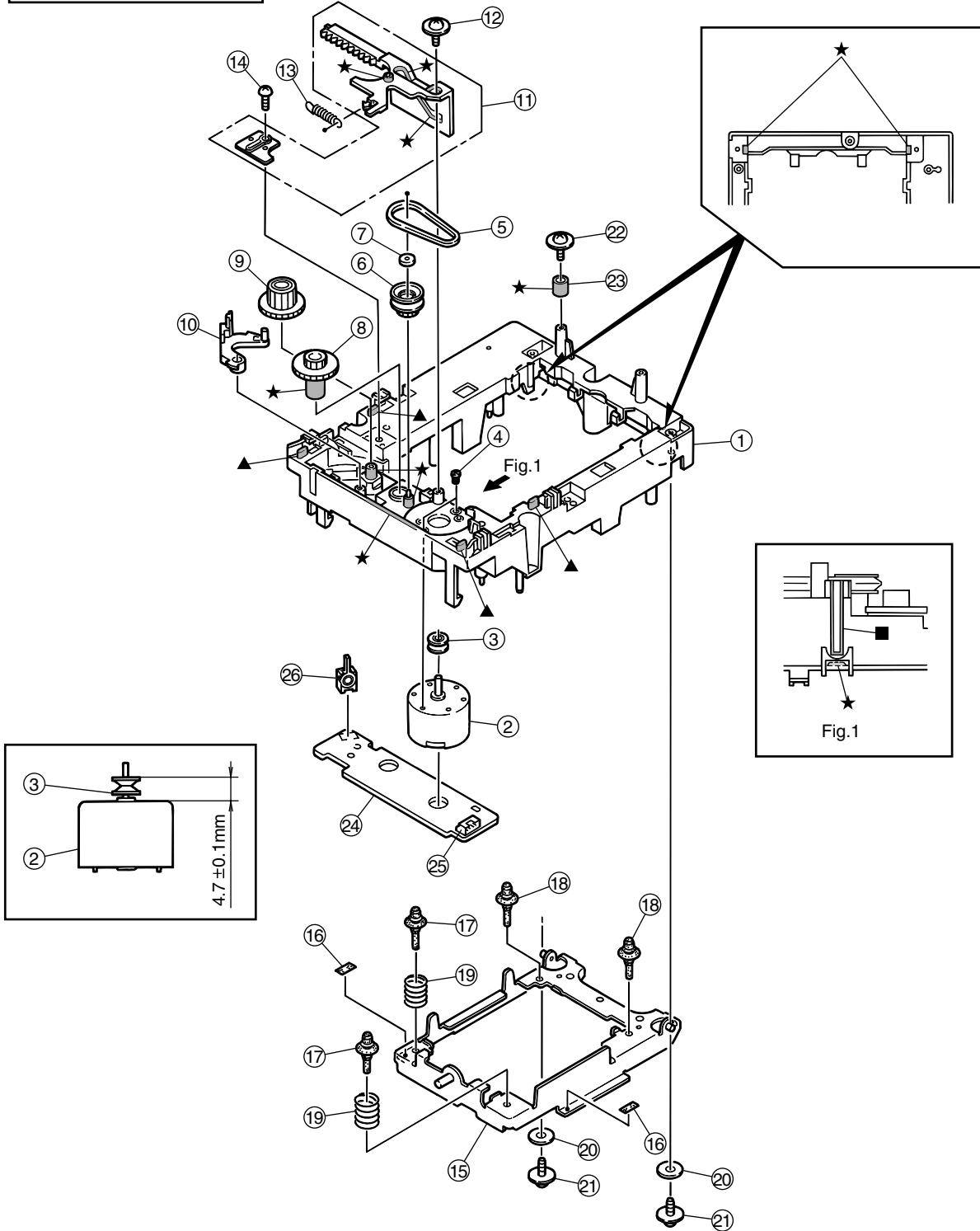
| △ | Item | Parts number | Parts name | Q'ty | Description | Area |
|---|------|-----------------|-----------------|------|-----------------|------|
| | 1 | LV20638-001A | MECHA BASE | 1 | | |
| | 2 | LV20635-001A | SHAFT HOLDER | 1 | | |
| | 3 | QYSBST2606M | T.SCREW | 1 | | |
| | 4 | VDG1099001TSVME | SP. MOTOR ASS'Y | 1 | | |
| | 5 | QUM193-08B2B2 | PARA RIBON WIRE | 1 | | |
| | 6 | QYSBST2606M | T.SCREW | 1 | FOR S.BASE&M.BA | |
| | 7 | OPTIMA-2010A1 | DVD PICKUP | 1 | | |
| | 8 | LV31670-001A | SWITCH ACTUATOR | 1 | | |
| | 9 | LV31666-002A | LEAD SPRING | 1 | | |
| | 10 | QYSPSGT2040M | SCREW | 1 | | |
| | 11 | LV31743-002A | P.U. SPRING | 1 | | |
| | 12 | QYSPSGT1416M | MINI SCREW | 1 | | |
| | 13 | LV41121-002A | SHAFT | 1 | MAIN SHAFT | |
| | 14 | LV41121-002A | SHAFT | 1 | SUB SHAFT | |
| | 15 | LV41732-001A | SKEW SPRING | 3 | | |
| | 16 | LV31669-001A | SHAFT STOPPER R | 2 | | |
| | 17 | LV31668-001A | SHAFT STOPPER F | 1 | | |
| | 18 | QYSPST2614M | SCREW | 2 | FOR SSTOPER R | |
| | 19 | QYSPST2614M | SCREW | 1 | FOR SSTOPER F | |
| | 20 | LV31746-003A | FEED HOLDER ASY | 1 | | |
| | 21 | QAR0127-001 | FEED MOTOR | 1 | | |
| | 22 | LV41510-001A | FEED GEAR T | 1 | | |
| | 23 | QYSPSPU2040M | SCREW | 1 | FOR F.M | |
| | 24 | LV41512-001A | FEED GEAR E | 1 | | |
| | 25 | LV41517-001A | LEAD SCREW | 1 | | |
| | 26 | LV41511-002A | FEED GEAR M | 1 | | |
| | 27 | LV31667-001A | THRUST SPRING | 1 | | |
| | 28 | QYSPSPU2040M | SCREW | 1 | FOR F.M | |
| | 29 | QYSBST2606M | T.SCREW | 2 | FOR F.HOLDER | |
| | 30 | QYYASPF2608N | HEX SCREW | 3 | FOR TILT ADJUST | |
| | 31 | QYSBST2606M | T.SCREW | 1 | FOR PW BOARD | |

DVD loading base assembly and parts list

Block No. M 3 M M

FLM-121-1C

Grease
 ★ =G-474C
 ▲ =EBS0006-009B
 ■ =G-330



Parts list (DVD loading base)

Block No. M3MM

| △ | Item | Parts number | Parts name | Q'ty | Description | Area |
|---|------|--------------|---------------|------|---------------|------|
| | 1 | E102357-441 | LOADING BASE | 1 | | |
| | 2 | MMN-6F1LB8K | MOTOR | 1 | | |
| | 3 | E75984-001SC | MOTOR PULLEY | 1 | | |
| | 4 | QYSPSPT2640Z | MINI SCREW | 2 | | |
| | 5 | E75950-002 | BELT | 1 | | |
| | 6 | E75985-222SS | GEAR(1) | 1 | | |
| | 7 | E60912-005SS | SPEED NUT | 1 | | |
| | 8 | E75986-221SS | GEAR (2) | 1 | | |
| | 9 | E75987-221SS | GEAR (3) | 1 | | |
| | 10 | E307162-331 | LEVER | 1 | | |
| | 11 | E307252-331 | CAM PLATE | 1 | | |
| | 12 | E65923-003 | TAPPING SCREW | 1 | | |
| | 13 | E75989-001 | SPRING | 1 | | |
| | 14 | QYSBSF3008Z | SCREW | 1 | | |
| | 15 | E307179-332 | E.BASE ASS'Y | 1 | | |
| | 16 | LV30225-089A | SPACER | 2 | | |
| | 17 | LV41527-001A | INSULATOR | 2 | | |
| | 18 | LV41527-002A | INSULATOR | 2 | | |
| | 19 | E406871-001 | SPRING | 2 | | |
| | 20 | LV30226-019A | SPACER | 2 | | |
| | 21 | E65923-003 | TAPPING SCREW | 2 | | |
| | 22 | QYSBSFG3008Z | T.SCREW | 1 | | |
| | 23 | LV41961-001A | TRAY TUBE | 1 | | |
| | 24 | EMW10095-003 | P.C.BOARD | 1 | LOADING MOTOR | |
| | 25 | QGA2001F1-05 | 5P PLUG ASSY | 1 | | |
| | 26 | QSW0472-001 | SWITCH | 1 | | |

Electrical parts list

■ Electrical parts list (Power board)

Block No. 01

| △ | Item | Parts number | Parts name | Remarks | Area | △ | Item | Parts number | Parts name | Remarks | Area |
|---|-------|----------------|-----------------|----------------|-------------|---|---------|---------------|-----------------|---------------|-------------|
| | C 801 | QCFB1HZ-104Y | C CAPACITOR | .10MF +80:-20% | | | D 903 | ERA18-04-T1 | FR DIODE | | |
| | C 802 | QEKC1AM-476Z | E.CAPACITOR | 47MF 20% 10V | | | D 904 | ERA18-04-T1 | FR DIODE | | |
| | C 811 | QCFB1HZ-104Y | C CAPACITOR | .10MF +80:-20% | | | D 908 | ERA18-04-T1 | FR DIODE | | |
| | C 812 | QEKC0JM-476Z | E.CAPACITOR | 47MF 20% 6.3V | | | D 910 | ERA18-04-T1 | FR DIODE | | |
| | C 813 | QCFB1HZ-104Y | C CAPACITOR | .10MF +80:-20% | | | D 911 | 1SS133-T2 | SI DIODE | | |
| | C 814 | QCS11HJ-220 | C CAPACITOR | 22PF 5% 50V | | | D 950 | MTZJ22C-T2 | ZENER DIODE | | |
| | C 821 | QEKC1HM-475Z | E.CAPACITOR | 4.7MF 20% 50V | | | D 951 | AU02-T1 | FR DIODE I/M | | |
| △ | C 902 | QFZ9040-683 | M CAPACITOR | .068MF | | | D 952 | AU02-T1 | FR DIODE I/M | | |
| △ | C 906 | QCZ9079-102 | C CAPACITOR | 1000PF | | | D 953 | FMB-24 | FUSEIODE | | |
| △ | C 907 | QEZO445-127 | AL E.CAPACITOR | 120MF | UB,UF,US | | D 954 | ERA18-04-T1 | FR DIODE | | |
| △ | C 907 | QEZO445-127 | AL E.CAPACITOR | 120MF | 1U,2U,3U,4U | | D 956 | ERA18-04-T1 | FR DIODE | | |
| △ | C 907 | QEZO374-826 | AL E.CAPACITOR | 82MF | A | | D 957 | ERA18-04-T1 | FR DIODE | | |
| | C 908 | QCZ0136-332Z | C CAPACITOR | 3300PF | | | D 960 | MTZJ2.0A-T2 | ZENER DIODE | | |
| | C 909 | QCZ0136-101Z | C CAPACITOR | 100PF | | | D 970 | 1SS133-T2 | SI DIODE | | |
| | C 910 | QCBB1HK-221Y | C CAPACITOR | 220PF 10% 50V | | | D 972 | 1SS133-T2 | SI DIODE | | |
| | C 913 | QCZ0136-101Z | C CAPACITOR | 100PF | | | D 973 | 1SS133-T2 | SI DIODE | | |
| | C 914 | QEMX1EM-396Z | E CAPA I/M | 39MF 20% 25V | | | D 974 | 1SS133-T2 | SI DIODE | | |
| | C 915 | QCBB1HK-471Y | C CAPACITOR | 470PF 10% 50V | | | D 991 | MTZJ5.1A-T2 | ZENER DIODE | | |
| △ | C 916 | QCZ9079-332 | C CAPACITOR | 3300PF | | | FC901 | QNG0003-001Z | FUSE CLIP | | |
| | C 918 | QCFB1HZ-104Y | C CAPACITOR | .10MF +80:-20% | | | FC902 | QNG0003-001Z | FUSE CLIP | | |
| | C 951 | QCBB1HK-101Y | C CAPACITOR | 100PF 10% 50V | | | FL901 | E67132-T1R6 | T1R6 FUSE LABEL | | |
| | C 952 | QCBB1HK-101Y | C CAPACITOR | 100PF 10% 50V | | | FW802 | QUM124-13Z4Z4 | FLAT WIRE | TO FW841(PSW) | |
| | C 953 | QCBB1HK-101Y | C CAPACITOR | 100PF 10% 50V | | | HS901 | E70306-002 | HEAT SINK | | |
| | C 954 | QCBB1HK-101Y | C CAPACITOR | 100PF 10% 50V | | | HS964 | LE40505-001A | HEAT SINK | | UF |
| | C 956 | QCBB1HK-101Y | C CAPACITOR | 100PF 10% 50V | | | HS964 | LV41959-001A | HEAT SINK | | A,UB,US |
| | C 957 | QCBB1HK-101Y | C CAPACITOR | 100PF 10% 50V | | | HS964 | LV41959-001A | HEAT SINK | | 1U,2U,3U,4U |
| | C 960 | QEMX1AM-826Z | E CAPA. I/M | 82MF 20% 10V | | | IC801 | GP1U271X | RM RECIVER | | |
| | C 961 | QCZ0205-155Z | ML C CAPACITOR | 1.5MF | | | IC802 | M35500BGP | FL DRIVER | | |
| | C 962 | QETN1HM-226Z | E CAPACITOR | 22MF 20% 50V | | | △ IC901 | STR-G6651 | IC | | |
| | C 963 | QEMX1HM-396Z | E CAPA I/M | 39MF 20% 50V | | | △ IC951 | PQ05RD21 | IC | | |
| | C 964 | QETN1HM-226Z | E CAPACITOR | 22MF 20% 50V | | | △ IC953 | NJM78M05FA | IC | | |
| | C 965 | QEMV1AM-108 | E CAPACITOR | 1000MF 20% 10V | | | △ L 901 | QQR1105-001 | LINE FILTER | | |
| | C 966 | QETN1AM-477Z | E CAPACITOR | 470MF 20% 10V | | | L 951 | QQL01BK-R22Z | P COIL | | |
| | C 967 | QFVC1HJ-104Z | M.M.CAPACITOR | .10MF 5% 50V | | | L 952 | QQR1098-001 | INDUCTOR | | |
| | C 968 | QFVC1HJ-104Z | M.M.CAPACITOR | .10MF 5% 50V | | | L 955 | QQR1098-001 | INDUCTOR | | |
| | C 969 | QETN1AM-227Z | E CAPACITOR | 220MF 20% 10V | | | L 957 | QQR1098-001 | INDUCTOR | | |
| | C 970 | QFVC1HJ-104Z | M.M.CAPACITOR | .10MF 5% 50V | | | L 959 | QQR1098-001 | INDUCTOR | | |
| | C 973 | QETN1AM-107Z | E CAPACITOR | 100MF 20% 10V | | | P 901 | QNC0006-001 | AC SOCKET | | |
| | C 976 | QFVC1HJ-104Z | M.M.CAPACITOR | .10MF 5% 50V | | | △ PC901 | PC123F | IC(PHOTO COUPLE | | |
| | C 977 | QFVC1HJ-104Z | M.M.CAPACITOR | .10MF 5% 50V | | | △ PC902 | PC123F | IC(PHOTO COUPLE | | |
| | C 978 | QETN1AM-107Z | E CAPACITOR | 100MF 20% 10V | | | Q 951 | 2SC2060/QR/-T | TRANSISTOR | | |
| | C 979 | QEMV1CM-827 | E CAPACITOR | 820MF 20% 16V | | | Q 952 | KRA104M-T | D.TRI.M | | |
| | C 981 | QCZ0205-155Z | ML C CAPACITOR | 1.5MF | | | Q 953 | 2SA1175/FE/-T | TRANSISTOR | | |
| | C 982 | QEMV1EM-567 | E CAPACITOR | 560MF 20% 25V | | | △ Q 964 | 2SB1565/EF/- | TRANSISTOR | | |
| | C 984 | QETN1EM-227Z | E CAPACITOR | 220MF 20% 25V | | | Q 965 | 2SC2785/FE/-T | TRANSISTOR | | |
| | C 987 | QEMX1EM-187Z | E CAPA I/M | 180MF 20% 25V | | | Q 966 | 2SA1175/FE/-T | TRANSISTOR | | |
| | C 989 | QETN1EM-107Z | E CAPACITOR | 100MF 20% 25V | | | Q 991 | 2SC2785/FE/-T | TRANSISTOR | | |
| | C 992 | QETN1HM-474Z | E CAPACITOR | .47MF 20% 50V | | | R 801 | QRE141J-222Y | C RESISTOR | 2.2K 5% 1/4W | |
| | C 993 | QCBB1HK-101Y | C CAPACITOR | 100PF 10% 50V | | | R 802 | QRE141J-222Y | C RESISTOR | 2.2K 5% 1/4W | |
| | C 994 | QDVB1EZ-223Y | C CAPACITOR | | | | R 803 | QRE141J-222Y | C RESISTOR | 2.2K 5% 1/4W | |
| | C 995 | QETN1CM-227Z | E CAPACITOR | 220MF 20% 16V | | | R 804 | QRE141J-222Y | C RESISTOR | 2.2K 5% 1/4W | |
| | C 996 | QETN1CM-226Z | E CAPACITOR | 22MF 20% 16V | | | R 805 | QRE141J-222Y | C RESISTOR | 2.2K 5% 1/4W | |
| | C 997 | QETN1CM-227Z | E CAPACITOR | 220MF 20% 16V | | | R 806 | QRE141J-102Y | C RESISTOR | 1.0K 5% 1/4W | |
| | CN801 | VMC0163-R08 | CONNECTOR | TO CN703(SYS) | | | R 807 | QRE141J-102Y | C RESISTOR | 1.0K 5% 1/4W | |
| | CN832 | QGB1216K1-06S | CONNECTOR | TO CN971(POW) | | | R 808 | QRE141J-102Y | C RESISTOR | 1.0K 5% 1/4W | |
| | CN951 | QGB2011L1-08 | B TO B CONNECTO | TO CN705(SYS) | | | R 809 | QRE141J-102Y | C RESISTOR | 1.0K 5% 1/4W | |
| | CN961 | QGB2011L1-08 | B TO B CONNECTO | TO CN704(SYS) | | | R 813 | QRE141J-102Y | C RESISTOR | 1.0K 5% 1/4W | |
| | CN971 | QGB1216J1-06S | CONNECTOR | TO CN832(FL) | | | R 814 | QRE141J-222Y | C RESISTOR | 2.2K 5% 1/4W | |
| △ | CP951 | ICP-N10-T | ICP | | | | R 821 | QRE141J-102Y | C RESISTOR | 1.0K 5% 1/4W | |
| △ | CP952 | ICP-N5-T | ICP | | | | R 845 | QRE141J-431Y | C RESISTOR | 430 5% 1/4W | |
| | D 801 | SLR-342VC-T | LED | STANDBY | | | R 846 | QRE141J-681Y | C RESISTOR | 680 5% 1/4W | |
| △ | D 901 | S1WB/A/60-4101 | BRIDGE DIODE | | | | R 847 | QRE141J-112Y | C RESISTOR | 1.1K 5% 1/4W | |
| △ | D 902 | ERA18-04-T1 | FR DIODE | | | | R 848 | QRE141J-222Y | C RESISTOR | 2.2K 5% 1/4W | |

■ Electrical parts list (Power board)

Block No. 01

| △ | Item | Parts number | Parts name | Remarks | Area |
|---|-------|--------------|--------------|--------------|------|
| | R 900 | QRE141J-221Y | C RESISTOR | 220 5% 1/4W | |
| | R 901 | QRL01DJ-683X | OMF RESISTOR | 68K 5% 1/1W | |
| | R 903 | QRE141J-270Y | C RESISTOR | 27 5% 1/4W | |
| | R 904 | QRE141J-222Y | C RESISTOR | 2.2K 5% 1/4W | |
| | R 905 | QRL027J-683 | OMF RESISTOR | 68K 5% 1/2W | |
| | R 906 | QRE141J-681Y | C RESISTOR | 680 5% 1/4W | |
| | R 907 | QRT022J-R47 | OMF RESISTOR | 5% 1/2W | |
| | R 908 | QRE141J-332Y | C RESISTOR | 3.3K 5% 1/4W | |
| | R 910 | QRE141J-754Y | C RESISTOR | 750K 5% 1/4W | |
| | R 911 | QRE141J-754Y | C RESISTOR | 750K 5% 1/4W | |
| | R 952 | QRE141J-103Y | C RESISTOR | 10K 5% 1/4W | |
| | R 953 | QRE141J-103Y | C RESISTOR | 10K 5% 1/4W | |
| △ | R 954 | QRZ9006-4R7X | F RESISTOR | 4.7 1/0W | |
| | R 955 | QRE141J-223Y | C RESISTOR | 22K 5% 1/4W | |
| | R 956 | QRE141J-100Y | C RESISTOR | 10 5% 1/4W | |
| | R 960 | QRE141J-101Y | C RESISTOR | 100 5% 1/4W | |
| | R 961 | QRE141J-681Y | C RESISTOR | 680 5% 1/4W | |
| | R 964 | QRE141J-105Y | C RESISTOR | 1.0M 5% 1/4W | |
| | R 965 | QRE141J-103Y | C RESISTOR | 10K 5% 1/4W | |
| | R 969 | QRE141J-221Y | C RESISTOR | 220 5% 1/4W | |
| | R 971 | QRE141J-472Y | C RESISTOR | 4.7K 5% 1/4W | |
| | R 972 | QRE141J-122Y | C RESISTOR | 1.2K 5% 1/4W | |
| | R 973 | QRE141J-102Y | C RESISTOR | 1.0K 5% 1/4W | |
| | R 974 | QRE141J-562Y | C RESISTOR | 5.6K 5% 1/4W | |
| | R 975 | QRE141J-562Y | C RESISTOR | 5.6K 5% 1/4W | |
| | R 976 | QRE141J-221Y | C RESISTOR | 220 5% 1/4W | |
| | R 980 | QRE141J-272Y | C RESISTOR | 2.7K 5% 1/4W | |
| | S 801 | QSW0683-001Z | PUSH SW I.M | POWER | |
| | S 811 | QSW0683-001Z | PUSH SW I.M | 3D-PHONIC | |
| | S 821 | QSW0683-001Z | PUSH SW I.M | OPEN/CLOSE | |
| | S 831 | QSW0683-001Z | PUSH SW I.M | STOP | |
| | S 832 | QSW0683-001Z | PUSH SW I.M | PAUSE | |
| | S 833 | QSW0683-001Z | PUSH SW I.M | PLAY | |
| | S 834 | QSW0683-001Z | PUSH SW I.M | F.SKIP | |
| | S 835 | QSW0683-001Z | PUSH SW I.M | B.SKIP | |
| | S 841 | QVQ0123-B15 | SHUTTLE VR | SHUTTLE | |
| | SP802 | VYH7653-002 | IC HOLDER | FOR IC802 | |
| | T 901 | QQS0028-001 | SW TRANSF | | |

■ Electrical parts list (Main board)

Block No. 02

| △ | Item | Parts number | Parts name | Remarks | Area |
|---|-------|--------------|----------------|-----------------|------|
| | C 601 | QCBB1HK-181Y | C CAPACITOR | 180PF 10% 50V | |
| | C 603 | QCS11HJ-680 | C CAPACITOR | 68PF 5% 50V | |
| | C 604 | QCS11HJ-150 | C CAPACITOR | 15PF 5% 50V | |
| | C 609 | QETN0JM-477Z | E CAPACITOR | 470MF 20% 6.3V | |
| | C 611 | QCBB1HK-181Y | C CAPACITOR | 180PF 10% 50V | |
| | C 613 | QCS11HJ-680 | C CAPACITOR | 68PF 5% 50V | |
| | C 614 | QCS11HJ-150 | C CAPACITOR | 15PF 5% 50V | |
| | C 619 | QETN0JM-477Z | E CAPACITOR | 470MF 20% 6.3V | |
| | C 621 | QCBB1HK-121Y | C CAPACITOR | 120PF 10% 50V | |
| | C 623 | QCS11HJ-470 | C CAPACITOR | 47PF 5% 50V | |
| | C 624 | QCS11HJ-100 | C CAPACITOR | 10PF 5% 50V | |
| | C 629 | QETN0JM-477Z | E CAPACITOR | 470MF 20% 6.3V | |
| | C 631 | QCBB1HK-121Y | C CAPACITOR | 120PF 10% 50V | |
| | C 633 | QCS11HJ-470 | C CAPACITOR | 47PF 5% 50V | |
| | C 634 | QCS11HJ-100 | C CAPACITOR | 10PF 5% 50V | |
| | C 639 | QCFB1HZ-104Y | C CAPACITOR | .10MF +80:-20% | |
| | C 641 | QCBB1HK-121Y | C CAPACITOR | 120PF 10% 50V | |
| | C 643 | QCS11HJ-470 | C CAPACITOR | 47PF 5% 50V | |
| | C 644 | QCS11HJ-100 | C CAPACITOR | 10PF 5% 50V | |
| | C 649 | QETN0JM-477Z | E CAPACITOR | 470MF 20% 6.3V | |
| | C 659 | QETN0JM-477Z | E CAPACITOR | 470MF 20% 6.3V | |
| | C 663 | QCBB1HK-151Y | C CAPACITOR | 150PF 10% 50V | |
| | C 699 | QCBB1HK-221Y | C CAPACITOR | 220PF 10% 50V | |
| | C 701 | QETN1HM-105Z | E CAPACITOR | 1.0MF 20% 50V | |
| | C 702 | QCFB1HZ-104Y | C CAPACITOR | .10MF +80:-20% | |
| | C 705 | QCFB1HZ-104Y | C CAPACITOR | .10MF +80:-20% | |
| | C 706 | QFVC1HJ-104Z | M.M.CAPACITOR | .10MF 5% 50V | |
| | C 707 | QETN0JM-107Z | E CAPACITOR | 100MF 20% 6.3V | |
| | C 709 | QCBB1HK-331Y | C CAPACITOR | 330PF 10% 50V | |
| | C 710 | QETN1AM-477Z | E CAPACITOR | 470MF 20% 10V | |
| | C 711 | QCZ0205-155Z | ML C CAPACITOR | 1.5MF | |
| | C 712 | QETN0JM-477Z | E CAPACITOR | 470MF 20% 6.3V | |
| | C 713 | QETN1CM-107Z | E CAPACITOR | 100MF 20% 16V | |
| | C 714 | QETN0JM-477Z | E CAPACITOR | 470MF 20% 6.3V | |
| | C 715 | QCZ0205-155Z | ML C CAPACITOR | 1.5MF | |
| | C 716 | QETN0JM-477Z | E CAPACITOR | 470MF 20% 6.3V | |
| | C 717 | QCZ0205-155Z | ML C CAPACITOR | 1.5MF | |
| | C 718 | QETN0JM-477Z | E CAPACITOR | 470MF 20% 6.3V | |
| | C 719 | QCBB1HK-101Y | C CAPACITOR | 100PF 10% 50V | |
| | C 720 | QCFB1HZ-104Y | C CAPACITOR | .10MF +80:-20% | |
| | C 721 | QCZ0205-155Z | ML C CAPACITOR | 1.5MF | |
| | C 722 | QCFB1HZ-104Y | C CAPACITOR | .10MF +80:-20% | |
| | C 723 | QCF11HZ-473 | C CAPACITOR | .047MF +80:-20% | |
| | C 724 | QCF11HZ-103 | C CAPACITOR | .010MF +80:-20% | |
| | C 725 | QETN1CM-477Z | E CAPACITOR | 470MF 20% 16V | |
| | C 726 | QETN1CM-227Z | E CAPACITOR | 220MF 20% 16V | |
| | C 727 | QETN1AM-227Z | E CAPACITOR | 220MF 20% 10V | |
| | C 728 | QETN1AM-107Z | E CAPACITOR | 100MF 20% 10V | |
| | C 729 | QCBB1HK-271Y | C CAPACITOR | 270PF 10% 50V | |
| | C 730 | QFVC1HJ-474Z | M.M.CAPA. I/M | .47MF 5% 50V | |
| | C 731 | QDYB1CM-103Y | C.CAPACITOR | | |
| | C 732 | QDGB1HK-102Y | C CAPACITOR | | |
| | C 733 | QDGB1HK-102Y | C CAPACITOR | | |
| | C 734 | QDX31EM-473Z | C.CAPACITOR | | |
| | C 735 | QCFB1HZ-104Y | C CAPACITOR | .10MF +80:-20% | |
| | C 736 | QCFB1HZ-104Y | C CAPACITOR | .10MF +80:-20% | |
| | C 740 | QFN32AJ-152Z | M.CAPA I/M | 1500PF 5% 100V | |
| | C 741 | QCBB1HK-181Y | C CAPACITOR | 180PF 10% 50V | |
| | C 742 | QFN32AJ-333Z | M.CAPA I/M | .033MF 5% 100V | |
| | C 743 | QFN32AJ-152Z | M.CAPA I/M | 1500PF 5% 100V | |
| | C 744 | QFN32AJ-182Z | M.CAPA I/M | 1800PF 5% 100V | |
| | C 745 | QFN32AJ-103Z | M.CAPA.I/M | .010MF 5% 100V | |
| | C 746 | QETN1EM-476Z | E CAPACITOR | 47MF 20% 25V | |

| △ | Item | Parts number | Parts name | Remarks | Area |
|---|-------|---------------|-----------------|-----------------|------|
| | C 747 | QFN32AJ-152Z | M.CAPA I/M | 1500PF 5% 100V | |
| | C 750 | QFN32AJ-152Z | M.CAPA I/M | 1500PF 5% 100V | |
| | C 751 | QCBB1HK-181Y | C CAPACITOR | 180PF 10% 50V | |
| | C 752 | QFN32AJ-333Z | M.CAPA I/M | .033MF 5% 100V | |
| | C 753 | QFN32AJ-152Z | M.CAPA I/M | 1500PF 5% 100V | |
| | C 754 | QFN32AJ-182Z | M.CAPA I/M | 1800PF 5% 100V | |
| | C 755 | QFN32AJ-103Z | M.CAPA.I/M | .010MF 5% 100V | |
| | C 756 | QETN1EM-476Z | E CAPACITOR | 47MF 20% 25V | |
| | C 757 | QFN32AJ-152Z | M.CAPA I/M | 1500PF 5% 100V | |
| | C 761 | QETN1CM-107Z | E CAPACITOR | 100MF 20% 16V | |
| | C 762 | QETN1CM-107Z | E CAPACITOR | 100MF 20% 16V | |
| | C 771 | QETN1CM-107Z | E CAPACITOR | 100MF 20% 16V | |
| | C 772 | QETN1CM-107Z | E CAPACITOR | 100MF 20% 16V | |
| | C 773 | QETN1EM-476Z | E CAPACITOR | 47MF 20% 25V | |
| | C 778 | QETN1EM-476Z | E CAPACITOR | 47MF 20% 25V | |
| | C 797 | QDYB1CM-103Y | C.CAPACITOR | | |
| | C 798 | QDYB1CM-103Y | C.CAPACITOR | | |
| | CN601 | QGB2027M3-10S | CONNECTOR | TO CN503 | |
| | CN701 | QGB2027M4-22S | CONNECTOR | TO CN502(MDUL) | |
| | CN702 | QJK021-050800 | SIN CR C-B WIRE | TO | |
| | CN703 | QGF1205C1-08 | CONNECTOR | TO CN801(FL) | |
| | CN704 | EMV5159-1008 | B TO B CONNECTO | TO CN961(POWER) | |
| | CN705 | EMV5159-1008 | B TO B CONNECTO | TO CN951(POWER) | |
| | CN706 | QGB2027M3-10S | CONNECTOR | TO CN501(MODUL) | |
| | D 609 | 1SS133-T2 | SI DIODE | | |
| | D 619 | 1SS133-T2 | SI DIODE | | |
| | D 629 | 1SS133-T2 | SI DIODE | | |
| | D 639 | 1SS133-T2 | SI DIODE | | |
| | D 649 | 1SS133-T2 | SI DIODE | | |
| | D 701 | 1SS133-T2 | SI DIODE | | |
| | D 709 | 1SS133-T2 | SI DIODE | | |
| | D 731 | KV1555N-T | VARI CAPACITOR | | |
| | D 732 | KV1555N-T | VARI CAPACITOR | | |
| | D 733 | MTZJ5.1C-T2 | ZENER DIODE | | |
| | D 734 | AU02-T1 | FR DIODE I/M | | |
| | D 735 | AU02-T1 | FR DIODE I/M | | |
| | D 791 | 1SS133-T2 | SI DIODE | | |
| | D 792 | 1SS133-T2 | SI DIODE | | |
| | D 793 | MTZJ3.3B-T2 | ZENER DIODE IM | | |
| | FW701 | QUM124-10Z4Z4 | PARA RIBON WIRE | FW701 TO FW702 | |
| | IC701 | MN101C12GHA | IC | #300 MADE | |
| | IC702 | IC-PST9140-T | IC | | |
| | IC703 | MN35503-X | IC | | |
| | IC711 | PQ05RD21 | IC | | |
| | IC712 | BA6208A | IC | | |
| | IC741 | NJM4580D | IC | | |
| | IC751 | NJM4580D | IC | | |
| | IC791 | AK93C45AF-W | IC | | |
| | IC792 | TC74HC08AP | IC | | |
| | J 601 | QNN0333-001 | PIN JACK | COMPONENT | |
| | J 702 | QNS0083-001 | 3.5 JACK | AV COMPULINK | |
| | J 703 | GP1FA550TZ | OPT TRANSMITTER | OPT DIGITAL OUT | |
| | K 603 | QQR0601-001Z | FERRITE BEADS | | |
| | K 604 | QQR0601-001Z | FERRITE BEADS | | |
| | K 605 | QQR0601-001Z | FERRITE BEADS | | |
| | K 705 | QQR0601-001Z | FERRITE BEADS | | |
| | K 706 | QQR0601-001Z | FERRITE BEADS | | |
| | K 710 | QQR0601-001Z | FERRITE BEADS | | |
| | K 712 | QQR0601-001Z | FERRITE BEADS | | |
| | K 714 | QQR0601-001Z | FERRITE BEADS | | |
| | K 715 | QQR0601-001Z | FERRITE BEADS | | |
| | K 716 | QQR0601-001Z | FERRITE BEADS | | |
| | K 717 | QQR0601-001Z | FERRITE BEADS | | |

■ Electrical parts list (Main board)

Block No. 02

| △ | Item | Parts number | Parts name | Remarks | Area | △ | Item | Parts number | Parts name | Remarks | Area |
|---|-------|---------------|----------------|--------------|------|---|-------|--------------|------------|--------------|------|
| | K 718 | QQR0601-001Z | FERRITE BEADS | | | | R 705 | QRE141J-2R2Y | C RESISTOR | 2.2 5% 1/4W | |
| | L 601 | QQL071J-120Y | INDUCTOR | | | | R 707 | QRE141J-101Y | C RESISTOR | 100 5% 1/4W | |
| | L 602 | QQL071J-5R6Y | INDUCTOR | | | | R 708 | QRE141J-101Y | C RESISTOR | 100 5% 1/4W | |
| | L 611 | QQL071J-120Y | INDUCTOR | | | | R 709 | QRE141J-103Y | C RESISTOR | 10K 5% 1/4W | |
| | L 612 | QQL071J-5R6Y | INDUCTOR | | | | R 711 | QRE141J-560Y | C RESISTOR | 56 5% 1/4W | |
| | L 621 | QQL071J-120Y | INDUCTOR | | | | R 712 | QRE141J-560Y | C RESISTOR | 56 5% 1/4W | |
| | L 622 | QQL071J-5R6Y | INDUCTOR | | | | R 713 | QRE141J-560Y | C RESISTOR | 56 5% 1/4W | |
| | L 631 | QQL071J-120Y | INDUCTOR | | | | R 714 | QRE141J-152Y | C RESISTOR | 1.5K 5% 1/4W | |
| | L 632 | QQL071J-5R6Y | INDUCTOR | | | | R 715 | QRE141J-560Y | C RESISTOR | 56 5% 1/4W | |
| | L 641 | QQL071J-120Y | INDUCTOR | | | | R 716 | QRE141J-152Y | C RESISTOR | 1.5K 5% 1/4W | |
| | L 642 | QQL071J-5R6Y | INDUCTOR | | | | R 717 | QRE141J-101Y | C RESISTOR | 100 5% 1/4W | |
| | L 731 | QQL071J-1R2Y | INDUCTOR | | | | R 721 | QRE141J-471Y | C RESISTOR | 470 5% 1/4W | |
| | Q 601 | 2SA1175/FE/-T | TRANSISTOR | | | | R 722 | QRE141J-471Y | C RESISTOR | 470 5% 1/4W | |
| | Q 611 | 2SA1175/FE/-T | TRANSISTOR | | | | R 723 | QRE141J-471Y | C RESISTOR | 470 5% 1/4W | |
| | Q 621 | 2SA1175/FE/-T | TRANSISTOR | | | | R 724 | QRE141J-471Y | C RESISTOR | 470 5% 1/4W | |
| | Q 631 | 2SA1175/FE/-T | TRANSISTOR | | | | R 725 | QRE141J-511Y | C RESISTOR | 510 5% 1/4W | |
| | Q 641 | 2SA1175/FE/-T | TRANSISTOR | | | | R 726 | QRE141J-471Y | C RESISTOR | 470 5% 1/4W | |
| | Q 709 | KRC107M-T | D.TR.I.M | | | | R 727 | QRE141J-102Y | C RESISTOR | 1.0K 5% 1/4W | |
| | Q 711 | KRA102M-T | D.TRANSISTOR | | | | R 728 | QRE141J-471Y | C RESISTOR | 470 5% 1/4W | |
| | Q 741 | 2SC3576-JVC-T | TRANSISTOR I/M | FREQ | | | R 729 | QRE141J-471Y | C RESISTOR | 470 5% 1/4W | |
| | Q 743 | 2SC3576-JVC-T | TRANSISTOR I/M | AMUTE1 | | | R 730 | QRE141J-333Y | C RESISTOR | 33K 5% 1/4W | |
| | Q 751 | 2SC3576-JVC-T | TRANSISTOR I/M | FREQ | | | R 731 | QRE141J-102Y | C RESISTOR | 1.0K 5% 1/4W | |
| | Q 753 | 2SC3576-JVC-T | TRANSISTOR I/M | AMUTE1 | | | R 732 | QRE141J-333Y | C RESISTOR | 33K 5% 1/4W | |
| | Q 791 | KRA102M-T | D.TRANSISTOR | | | | R 733 | QRE141J-104Y | C RESISTOR | 100K 5% 1/4W | |
| | R 601 | QRE141J-120Y | C RESISTOR | 12 5% 1/4W | | | R 734 | QRE141J-333Y | C RESISTOR | 33K 5% 1/4W | |
| | R 602 | QRE141J-361Y | C RESISTOR | 360 5% 1/4W | | | R 735 | QRE141J-104Y | C RESISTOR | 100K 5% 1/4W | |
| | R 603 | QRE141J-120Y | C RESISTOR | 12 5% 1/4W | | | R 736 | QRE141J-181Y | C RESISTOR | 180 5% 1/4W | |
| | R 604 | QRE141J-361Y | C RESISTOR | 360 5% 1/4W | | | R 737 | QRE141J-104Y | C RESISTOR | 100K 5% 1/4W | |
| | R 605 | QRE141J-221Y | C RESISTOR | 220 5% 1/4W | | | R 738 | QRE141J-153Y | C RESISTOR | 15K 5% 1/4W | |
| | R 606 | QRE141J-102Y | C RESISTOR | 1.0K 5% 1/4W | | | R 739 | QRE141J-102Y | C RESISTOR | 1.0K 5% 1/4W | |
| | R 609 | QRE141J-680Y | C RESISTOR | 68 5% 1/4W | | | R 740 | QRE141J-243Y | C RESISTOR | 24K 5% 1/4W | |
| | R 611 | QRE141J-120Y | C RESISTOR | 12 5% 1/4W | | | R 741 | QRE141J-243Y | C RESISTOR | 24K 5% 1/4W | |
| | R 612 | QRE141J-361Y | C RESISTOR | 360 5% 1/4W | | | R 742 | QRE141J-163Y | C RESISTOR | 16K 5% 1/4W | |
| | R 613 | QRE141J-120Y | C RESISTOR | 12 5% 1/4W | | | R 743 | QRE141J-163Y | C RESISTOR | 16K 5% 1/4W | |
| | R 614 | QRE141J-361Y | C RESISTOR | 360 5% 1/4W | | | R 744 | QRE141J-682Y | C RESISTOR | 6.8K 5% 1/4W | |
| | R 615 | QRE141J-221Y | C RESISTOR | 220 5% 1/4W | | | R 745 | QRE141J-183Y | C RESISTOR | 18K 5% 1/4W | |
| | R 616 | QRE141J-102Y | C RESISTOR | 1.0K 5% 1/4W | | | R 746 | QRE141J-821Y | C RESISTOR | 820 5% 1/4W | |
| | R 619 | QRE141J-680Y | C RESISTOR | 68 5% 1/4W | | | R 747 | QRE141J-362Y | C RESISTOR | 3.6K 5% 1/4W | |
| | R 621 | QRE141J-751Y | C RESISTOR | 750 5% 1/4W | | | R 748 | QRE141J-561Y | C RESISTOR | 560 5% 1/4W | |
| | R 622 | QRE141J-751Y | C RESISTOR | 750 5% 1/4W | | | R 749 | QRE141J-103Y | C RESISTOR | 10K 5% 1/4W | |
| | R 623 | QRE141J-751Y | C RESISTOR | 750 5% 1/4W | | | R 750 | QRE141J-243Y | C RESISTOR | 24K 5% 1/4W | |
| | R 624 | QRE141J-751Y | C RESISTOR | 750 5% 1/4W | | | R 751 | QRE141J-243Y | C RESISTOR | 24K 5% 1/4W | |
| | R 625 | QRE141J-221Y | C RESISTOR | 220 5% 1/4W | | | R 752 | QRE141J-163Y | C RESISTOR | 16K 5% 1/4W | |
| | R 626 | QRE141J-561Y | C RESISTOR | 560 5% 1/4W | | | R 753 | QRE141J-163Y | C RESISTOR | 16K 5% 1/4W | |
| | R 629 | QRE141J-680Y | C RESISTOR | 68 5% 1/4W | | | R 754 | QRE141J-682Y | C RESISTOR | 6.8K 5% 1/4W | |
| | R 632 | QRE141J-361Y | C RESISTOR | 360 5% 1/4W | | | R 755 | QRE141J-183Y | C RESISTOR | 18K 5% 1/4W | |
| | R 634 | QRE141J-361Y | C RESISTOR | 360 5% 1/4W | | | R 756 | QRE141J-821Y | C RESISTOR | 820 5% 1/4W | |
| | R 635 | QRE141J-221Y | C RESISTOR | 220 5% 1/4W | | | R 757 | QRE141J-362Y | C RESISTOR | 3.6K 5% 1/4W | |
| | R 636 | QRE141J-102Y | C RESISTOR | 1.0K 5% 1/4W | | | R 758 | QRE141J-561Y | C RESISTOR | 560 5% 1/4W | |
| | R 639 | QRE141J-680Y | C RESISTOR | 68 5% 1/4W | | | R 759 | QRE141J-103Y | C RESISTOR | 10K 5% 1/4W | |
| | R 641 | QRE141J-751Y | C RESISTOR | 750 5% 1/4W | | | R 760 | QRE141J-105Y | C RESISTOR | 1.0M 5% 1/4W | |
| | R 642 | QRE141J-751Y | C RESISTOR | 750 5% 1/4W | | | R 761 | QRE141J-561Y | C RESISTOR | 560 5% 1/4W | |
| | R 643 | QRE141J-751Y | C RESISTOR | 750 5% 1/4W | | | R 762 | QRE141J-821Y | C RESISTOR | 820 5% 1/4W | |
| | R 644 | QRE141J-751Y | C RESISTOR | 750 5% 1/4W | | | R 764 | QRE141J-183Y | C RESISTOR | 18K 5% 1/4W | |
| | R 645 | QRE141J-221Y | C RESISTOR | 220 5% 1/4W | | | R 765 | QRE141J-561Y | C RESISTOR | 560 5% 1/4W | |
| | R 646 | QRE141J-561Y | C RESISTOR | 560 5% 1/4W | | | R 766 | QRE141J-273Y | C RESISTOR | 27K 5% 1/4W | |
| | R 649 | QRE141J-680Y | C RESISTOR | 68 5% 1/4W | | | R 767 | QRE141J-151Y | C RESISTOR | 150 5% 1/4W | |
| | R 659 | QRE141J-680Y | C RESISTOR | 68 5% 1/4W | | | R 768 | QRE141J-103Y | C RESISTOR | 10K 5% 1/4W | |
| | R 687 | QRE141J-270Y | C RESISTOR | 27 5% 1/4W | | | R 770 | QRE141J-105Y | C RESISTOR | 1.0M 5% 1/4W | |
| | R 701 | QRE141J-102Y | C RESISTOR | 1.0K 5% 1/4W | | | R 771 | QRE141J-561Y | C RESISTOR | 560 5% 1/4W | |
| | R 702 | QRE141J-472Y | C RESISTOR | 4.7K 5% 1/4W | | | R 772 | QRE141J-821Y | C RESISTOR | 820 5% 1/4W | |
| | R 703 | QRE141J-105Y | C RESISTOR | 1.0M 5% 1/4W | | | R 774 | QRE141J-183Y | C RESISTOR | 18K 5% 1/4W | |
| | R 704 | QRE141J-102Y | C RESISTOR | 1.0K 5% 1/4W | | | R 775 | QRE141J-561Y | C RESISTOR | 560 5% 1/4W | |

■ Electrical parts list (Main board)

Block No. 02

| △ | Item | Parts number | Parts name | Remarks | Area |
|---|-------|---------------|-------------|--------------|------------|
| | R 776 | QRE141J-273Y | C RESISTOR | 27K 5% 1/4W | |
| | R 777 | QRE141J-151Y | C RESISTOR | 150 5% 1/4W | |
| | R 778 | QRE141J-103Y | C RESISTOR | 10K 5% 1/4W | |
| | R 782 | QRE141J-221Y | C RESISTOR | 220 5% 1/4W | |
| | R 783 | QRE141J-221Y | C RESISTOR | 220 5% 1/4W | |
| | R 786 | QRE141J-333Y | C RESISTOR | 33K 5% 1/4W | |
| | R 792 | QRE141J-221Y | C RESISTOR | 220 5% 1/4W | |
| | R 793 | QRE141J-221Y | C RESISTOR | 220 5% 1/4W | |
| | R 795 | QRE141J-472Y | C RESISTOR | 4.7K 5% 1/4W | A,UB,UF,US |
| | R 795 | QRE141J-472Y | C RESISTOR | 4.7K 5% 1/4W | 2U,3U,4U |
| | R 796 | QRE141J-472Y | C RESISTOR | 4.7K 5% 1/4W | |
| | R 797 | QRE141J-473Y | C RESISTOR | 47K 5% 1/4W | |
| | R 798 | QRE141J-473Y | C RESISTOR | 47K 5% 1/4W | |
| | R1701 | QRE141J-222Y | C RESISTOR | 2.2K 5% 1/4W | |
| | R1702 | QRE141J-222Y | C RESISTOR | 2.2K 5% 1/4W | |
| | R1703 | QRE141J-222Y | C RESISTOR | 2.2K 5% 1/4W | |
| | R1704 | QRE141J-103Y | C RESISTOR | 10K 5% 1/4W | |
| | R1706 | QRE141J-222Y | C RESISTOR | 2.2K 5% 1/4W | |
| | R1707 | QRE141J-222Y | C RESISTOR | 2.2K 5% 1/4W | |
| | R1708 | QRE141J-222Y | C RESISTOR | 2.2K 5% 1/4W | |
| | R1709 | QRE141J-102Y | C RESISTOR | 1.0K 5% 1/4W | |
| | R1710 | QRE141J-102Y | C RESISTOR | 1.0K 5% 1/4W | |
| | R1711 | QRE141J-102Y | C RESISTOR | 1.0K 5% 1/4W | |
| | R1712 | QRE141J-331Y | C RESISTOR | 330 5% 1/4W | |
| | R1713 | QRE141J-101Y | C RESISTOR | 100 5% 1/4W | |
| | R1714 | QRE141J-472Y | C RESISTOR | 4.7K 5% 1/4W | |
| | R1715 | QRE141J-103Y | C RESISTOR | 10K 5% 1/4W | 1U |
| | R1716 | QRE141J-102Y | C RESISTOR | 1.0K 5% 1/4W | |
| | R1717 | QRE141J-102Y | C RESISTOR | 1.0K 5% 1/4W | |
| | R1720 | QRE141J-750Y | C RESISTOR | 75 5% 1/4W | |
| | R1723 | QRE141J-221Y | C RESISTOR | 220 5% 1/4W | |
| | R1724 | QRE141J-331Y | C RESISTOR | 330 5% 1/4W | |
| | R1726 | QRE141J-222Y | C RESISTOR | 2.2K 5% 1/4W | |
| | R1730 | QRE141J-102Y | C RESISTOR | 1.0K 5% 1/4W | |
| | R1731 | QRE141J-102Y | C RESISTOR | 1.0K 5% 1/4W | |
| | R1732 | QRE141J-102Y | C RESISTOR | 1.0K 5% 1/4W | |
| | S 701 | QSW0454-001 | PUSH SWITCH | NTSC/PAL SW | 2U,3U,4U |
| | S 701 | QSW0454-001 | PUSH SWITCH | NTSC/PAL SW | A,UB,UF,US |
| | SP701 | VYH7653-001 | IC HOLDER | FOR IC701 | |
| | SP703 | VYH7653-003SC | IC HOLDER | FOR IC703 | |
| | T 601 | QQR0880-001 | PULSE TRANS | | |
| | X 701 | QAX0356-001Z | RESONATOR | | |

■ Electrical parts list (DVD servo board)

Block No. 03

| ▲ | Item | Parts number | Parts name | Remarks | Area | ▲ | Item | Parts number | Parts name | Remarks | Area |
|-------|--------------|-----------------|------------|---------|------|-------|--------------|--------------|------------|---------|------|
| C 1 | NCB31CK-104X | C CAPACITOR | | | | C 228 | NCB31HK-102X | C CAPACITOR | | | |
| C 2 | NEA70JM-226X | E CAPACITOR | | | | C 237 | NCB31CK-104X | C CAPACITOR | | | |
| C 3 | NEA70JM-226X | E CAPACITOR | | | | C 238 | NCB31CK-104X | C CAPACITOR | | | |
| C 4 | NCB31CK-104X | C CAPACITOR | | | | C 239 | NCB31CK-183X | C CAPACITOR | | | |
| C 5 | NEX40JM-156X | E.CAPACITOR | | | | C 240 | NCS31HJ-470X | C CAPACITOR | | | |
| C 6 | NCB31CK-104X | C CAPACITOR | | | | C 241 | NCB31CK-103X | C CAPACITOR | | | |
| C 11 | NEA70JM-107X | E.CAPACITOR | | | | C 242 | NCB11CK-105X | C CAPACITOR | | | |
| C 12 | NCB31CK-104X | C CAPACITOR | | | | C 244 | NCB31CK-104X | C CAPACITOR | | | |
| C 15 | NCB31CK-104X | C CAPACITOR | | | | C 245 | NCB31CK-103X | C CAPACITOR | | | |
| C 16 | NBE20JM-106X | TS E CAP SVB20J | | | | C 246 | NCB31CK-104X | C CAPACITOR | | | |
| C 17 | NCB31CK-104X | C CAPACITOR | | | | C 247 | NCB31CK-104X | C CAPACITOR | | | |
| C 101 | NCB31HK-561X | C CAPACITOR | | | | C 248 | NCB21CK-154X | C.CAPA. C.M | | | |
| C 102 | NCB31CK-104X | C CAPACITOR | | | | C 249 | NCB31CK-104X | C CAPACITOR | | | |
| C 103 | NCB31CK-104X | C CAPACITOR | | | | C 250 | NCB31CK-104X | C CAPACITOR | | | |
| C 104 | NCB31CK-104X | C CAPACITOR | | | | C 251 | NCB31CK-104X | C CAPACITOR | | | |
| C 105 | NCB31CK-104X | C CAPACITOR | | | | C 252 | NCB31CK-104X | C CAPACITOR | | | |
| C 109 | NEA70JM-476X | E.CAPACITOR | | | | C 253 | NCB31CK-104X | C CAPACITOR | | | |
| C 112 | NEA70JM-476X | E.CAPACITOR | | | | C 254 | NEA70GM-336X | E CAPACITOR | | | |
| C 118 | NCB21CK-154X | C.CAPA. C.M | | | | C 255 | NCB31CK-104X | C CAPACITOR | | | |
| C 119 | NCS31HJ-221X | C CAPACITOR | | | | C 256 | NEA70GM-107X | E CAPACITOR | | | |
| C 120 | NCS31HJ-820X | C CAPACITOR | | | | C 257 | NCB11CK-105X | C CAPACITOR | | | |
| C 121 | NCS31HJ-220X | C CAPACITOR | | | | C 258 | NEA70GM-107X | E CAPACITOR | | | |
| C 122 | NCB31HK-271X | C CAPACITOR | | | | C 259 | NCB11CK-105X | C CAPACITOR | | | |
| C 123 | NCB31CK-104X | C CAPACITOR | | | | C 260 | NCB31HK-561X | C CAPACITOR | | | |
| C 124 | NCB31CK-104X | C CAPACITOR | | | | C 261 | NCB31CK-104X | C CAPACITOR | | | |
| C 125 | NCB31CK-104X | C CAPACITOR | | | | C 262 | NCB31CK-104X | C CAPACITOR | | | |
| C 126 | NEX40JM-566X | E CAPACITOR | | | | C 263 | NCB31CK-104X | C CAPACITOR | | | |
| C 127 | NCB31HK-102X | C CAPACITOR | | | | C 264 | NCB21CK-474X | C CAPACITOR | | | |
| C 128 | NCB31CK-104X | C CAPACITOR | | | | C 271 | NCB31EK-332X | C CAPACITOR | | | |
| C 130 | NCB31CK-104X | C CAPACITOR | | | | C 272 | NCB31HK-331X | C CAPACITOR | | | |
| C 131 | NCS31HJ-120X | C CAPACITOR | | | | C 276 | NCB31CK-104X | C CAPACITOR | | | |
| C 132 | NCB31CK-104X | C CAPACITOR | | | | C 277 | NCB31CK-104X | C CAPACITOR | | | |
| C 133 | NCB31HK-561X | C CAPACITOR | | | | C 278 | NCB31HK-102X | C CAPACITOR | | | |
| C 134 | NCB31HK-561X | C CAPACITOR | | | | C 279 | NCB31HK-272X | C CAPACITOR | | | |
| C 135 | NCB31CK-273X | C CAPACITOR | | | | C 281 | NCB31CK-103X | C CAPACITOR | | | |
| C 136 | NCB31CK-473X | C CAPACITOR | | | | C 283 | NCB31CK-223X | C CAPACITOR | | | |
| C 138 | NCB31CK-104X | C CAPACITOR | | | | C 284 | NCB31CK-473X | C CAPACITOR | | | |
| C 139 | NCB31CK-104X | C CAPACITOR | | | | C 288 | NCB31CK-223X | C CAPACITOR | | | |
| C 140 | NEA70JM-226X | E CAPACITOR | | | | C 289 | NCB31CK-104X | C CAPACITOR | | | |
| C 141 | NCB31CK-104X | C CAPACITOR | | | | C 291 | NCB31CK-104X | C CAPACITOR | | | |
| C 143 | NCB31CK-104X | C CAPACITOR | | | | C 292 | NEA70JM-226X | E CAPACITOR | | | |
| C 144 | NCB31CK-104X | C CAPACITOR | | | | C 293 | NEA71CM-226X | E.CAPAP. C.M | | | |
| C 145 | NCB31CK-103X | C CAPACITOR | | | | C 301 | NCB31CK-104X | C CAPACITOR | | | |
| C 151 | NEX40JM-156X | E.CAPACITOR | | | | C 302 | NCB31CK-104X | C CAPACITOR | | | |
| C 152 | NEX40JM-156X | E.CAPACITOR | | | | C 303 | NCB31CK-104X | C CAPACITOR | | | |
| C 153 | NCB31CK-104X | C CAPACITOR | | | | C 304 | NCB31CK-104X | C CAPACITOR | | | |
| C 159 | NCB31CK-104X | C CAPACITOR | | | | C 305 | NCB31CK-104X | C CAPACITOR | | | |
| C 160 | NCB31CK-104X | C CAPACITOR | | | | C 306 | NCB31CK-104X | C CAPACITOR | | | |
| C 161 | NEA70GM-336X | E CAPACITOR | | | | C 307 | NCB31CK-104X | C CAPACITOR | | | |
| C 202 | NCB31HK-561X | C CAPACITOR | | | | C 309 | NCB31CK-104X | C CAPACITOR | | | |
| C 203 | NCB31HK-561X | C CAPACITOR | | | | C 310 | NCB31CK-104X | C CAPACITOR | | | |
| C 204 | NCB31HK-331X | C CAPACITOR | | | | C 311 | NCB31CK-104X | C CAPACITOR | | | |
| C 205 | NCS31HJ-121X | C CAPACITOR | | | | C 312 | NCS31HJ-180X | C CAPACITOR | | | |
| C 206 | NCS31HJ-271X | C CAPACITOR | | | | C 313 | NCS31HJ-180X | C CAPACITOR | | | |
| C 207 | NCB31HK-471X | C CAPACITOR | | | | C 314 | NCB31CK-104X | C CAPACITOR | | | |
| C 208 | NCB31CK-104X | C CAPACITOR | | | | C 315 | NCB31CK-104X | C CAPACITOR | | | |
| C 209 | NCB31HK-102X | C CAPACITOR | | | | C 316 | NEA70GM-107X | E CAPACITOR | | | |
| C 210 | NCB31HK-102X | C CAPACITOR | | | | C 317 | NCB11CK-105X | C CAPACITOR | | | |
| C 222 | NCB31HK-562X | C CAPACITOR | | | | C 318 | NCB31CK-104X | C CAPACITOR | | | |
| C 223 | NCB31HK-102X | C CAPACITOR | | | | C 319 | NCB31CK-104X | C CAPACITOR | | | |
| C 224 | NCB31CK-104X | C CAPACITOR | | | | C 320 | NCB31CK-104X | C CAPACITOR | | | |
| C 225 | NBE91CM-105X | E CAPACITOR | | | | C 321 | NCB31CK-104X | C CAPACITOR | | | |
| C 227 | NCB31HK-102X | C CAPACITOR | | | | C 324 | NCB31CK-104X | C CAPACITOR | | | |

■ Electrical parts list (DVD servo board)

Block No. 03

| △ | Item | Parts number | Parts name | Remarks | Area |
|---|-------|--------------|-------------|---------|------|
| | C 326 | NCB31CK-104X | C CAPACITOR | | |
| | C 327 | NEA70JM-107X | E CAPACITOR | | |
| | C 341 | NCB31CK-104X | C CAPACITOR | | |
| | C 342 | NCB31CK-104X | C CAPACITOR | | |
| | C 343 | NCB31CK-104X | C CAPACITOR | | |
| | C 344 | NCB31CK-104X | C CAPACITOR | | |
| | C 345 | NEA70JM-107X | E.CAPACITOR | | |
| | C 346 | NCB11CK-105X | C CAPACITOR | | |
| | C 373 | NCB31CK-104X | C CAPACITOR | | |
| | C 401 | NCB31CK-104X | C CAPACITOR | | |
| | C 402 | NCB31CK-104X | C CAPACITOR | | |
| | C 405 | NCB31CK-104X | C CAPACITOR | | |
| | C 406 | NCB31CK-104X | C CAPACITOR | | |
| | C 407 | NCB31CK-104X | C CAPACITOR | | |
| | C 408 | NEA70JM-226X | E CAPACITOR | | |
| | C 409 | NCB31CK-104X | C CAPACITOR | | |
| | C 411 | NCB31CK-104X | C CAPACITOR | | |
| | C 412 | NCB31CK-104X | C CAPACITOR | | |
| | C 501 | NCB31CK-104X | C CAPACITOR | | |
| | C 502 | NCB31CK-104X | C CAPACITOR | | |
| | C 503 | NCB31CK-104X | C CAPACITOR | | |
| | C 504 | NCB31CK-104X | C CAPACITOR | | |
| | C 505 | NCB31CK-104X | C CAPACITOR | | |
| | C 506 | NCB31CK-104X | C CAPACITOR | | |
| | C 507 | NCB31CK-104X | C CAPACITOR | | |
| | C 508 | NCB31CK-104X | C CAPACITOR | | |
| | C 509 | NCB31CK-104X | C CAPACITOR | | |
| | C 510 | NCB31CK-104X | C CAPACITOR | | |
| | C 511 | NCB31CK-104X | C CAPACITOR | | |
| | C 512 | NCB31CK-104X | C CAPACITOR | | |
| | C 513 | NCB31CK-104X | C CAPACITOR | | |
| | C 514 | NCB31CK-104X | C CAPACITOR | | |
| | C 515 | NCB31CK-104X | C CAPACITOR | | |
| | C 516 | NCB31CK-104X | C CAPACITOR | | |
| | C 517 | NCB31CK-104X | C CAPACITOR | | |
| | C 518 | NCB31CK-104X | C CAPACITOR | | |
| | C 519 | NCB31CK-104X | C CAPACITOR | | |
| | C 520 | NCB31CK-104X | C CAPACITOR | | |
| | C 521 | NCB31CK-104X | C CAPACITOR | | |
| | C 522 | NCB31CK-104X | C CAPACITOR | | |
| | C 523 | NCB31CK-104X | C CAPACITOR | | |
| | C 524 | NCB31CK-104X | C CAPACITOR | | |
| | C 525 | NCB31CK-104X | C CAPACITOR | | |
| | C 526 | NCB31CK-104X | C CAPACITOR | | |
| | C 527 | NCB31CK-104X | C CAPACITOR | | |
| | C 528 | NCB31CK-104X | C CAPACITOR | | |
| | C 529 | NCB31CK-104X | C CAPACITOR | | |
| | C 530 | NEA70JM-107X | E.CAPACITOR | | |
| | C 531 | NCB31CK-104X | C CAPACITOR | | |
| | C 532 | NCB31CK-104X | C CAPACITOR | | |
| | C 533 | NCB31CK-104X | C CAPACITOR | | |
| | C 534 | NEA70JM-107X | E.CAPACITOR | | |
| | C 535 | NCB31CK-104X | C CAPACITOR | | |
| | C 536 | NCB31CK-103X | C CAPACITOR | | |
| | C 537 | NEA70JM-226X | E CAPACITOR | | |
| | C 538 | NCB31CK-104X | C CAPACITOR | | |
| | C 539 | NCB31CK-104X | C CAPACITOR | | |
| | C 540 | NEA70JM-226X | E CAPACITOR | | |
| | C 541 | NCB31CK-104X | C CAPACITOR | | |
| | C 542 | NEA70JM-226X | E CAPACITOR | | |
| | C 543 | NCB31CK-104X | C CAPACITOR | | |
| | C 556 | NEA70JM-107X | E.CAPACITOR | | |
| | C 557 | NCB31CK-104X | C CAPACITOR | | |

| △ | Item | Parts number | Parts name | Remarks | Area |
|---|-------|-----------------|-----------------|---------|------------|
| | C 561 | NCB31CK-104X | C CAPACITOR | | |
| | C 562 | NEA70JM-226X | E CAPACITOR | | |
| | C 563 | NCB31CK-104X | C CAPACITOR | | |
| | C 564 | NCB31CK-104X | C CAPACITOR | | |
| | C 565 | NCB31CK-104X | C CAPACITOR | | |
| | C 566 | NCB31CK-104X | C CAPACITOR | | |
| | C 567 | NEA70JM-226X | E CAPACITOR | | |
| | C 568 | NCB31CK-104X | C CAPACITOR | | |
| | C 569 | NEA70JM-226X | E CAPACITOR | | |
| | C 570 | NCB31CK-104X | C CAPACITOR | | |
| | CN101 | QGF0501F3-40X | FFC/FPC CONNE | PU | |
| | CN501 | QGB2027L1-10X | W TO B CONNE | POWER | |
| | CN502 | QGB2027L1-22X | CONNECTOR | SYSTEM | |
| | CN503 | QGB2027L1-10X | W TO B CONNE | VIDEO | |
| | D 501 | 1SR154-400-X | DIODE | | |
| | D 551 | 1SS355-X | DIODE | | |
| | D 552 | 1SS355-X | DIODE | | |
| | IC 1 | RN5RZ33BA-X | IC | | |
| | IC101 | AN8702FH | IC | | |
| | IC102 | RN5RZ33BA-X | IC | | |
| | IC201 | MN67706ZY | IC | | |
| | IC202 | TC7WT125FU-X | IC(DIGITAL) | | |
| | IC271 | M56788FP-W | IC | | |
| | IC301 | MN103S13BDA | IC | | |
| | IC311 | TC7SH08FU-X | IC | | |
| | IC312 | TC7SH32FU-X | IC | | |
| | IC321 | TC7WH74FU-X | IC | | |
| | IC322 | TC74VHC00FT-X | IC | | |
| | IC401 | MN102L25GDZ3 | I.C(MICRO-COMP) | OTP | |
| | IC402 | MSM531622F72G-X | I.C(MICRO-COMP) | | A,UB,UF,US |
| | IC402 | MSM531622F72G-X | I.C(MICRO-COMP) | | 2U,3U,4U |
| | IC402 | MSM531622F83G-X | I.C(MICRO-COMP) | | 1U |
| | IC403 | AK93C65AF-X | IC | | |
| | IC501 | ZIVA3-PE0 | IC | | |
| | IC502 | NAX0393-001X | CXO C.M | 27MHZ | |
| | IC503 | TC74VHC00FT-X | IC | | |
| | IC504 | K4S161622D-TC80 | IC | | |
| | IC505 | K4S161622D-TC80 | IC | | |
| | IC554 | MC44724AVFU | IC | | |
| | K 102 | NQR0007-002X | FERRITE BEADS | | |
| | K 103 | NQR0007-002X | FERRITE BEADS | | |
| | K 201 | NQR0007-002X | FERRITE BEADS | | |
| | K 202 | NQR0007-002X | FERRITE BEADS | | |
| | K 203 | NQR0007-002X | FERRITE BEADS | | |
| | K 301 | NQR0007-002X | FERRITE BEADS | | |
| | K 302 | NQR0007-002X | FERRITE BEADS | | |
| | K 303 | NQR0007-002X | FERRITE BEADS | | |
| | K 401 | NQR0007-002X | FERRITE BEADS | | |
| | K 402 | NQR0007-002X | FERRITE BEADS | | |
| | K 501 | NQR0007-002X | FERRITE BEADS | | |
| | K 502 | NQR0007-002X | FERRITE BEADS | | |
| | K 503 | NQR0007-002X | FERRITE BEADS | | |
| | K 504 | NQR0201-001X | FERRITE BEADS | | |
| | K 505 | NQR0269-001X | FERRITE BEADS | | |
| | K 506 | NQR0007-002X | FERRITE BEADS | | |
| | K 507 | NQR0007-002X | FERRITE BEADS | | |
| | K 550 | NQR0007-002X | FERRITE BEADS | | |
| | K 551 | NQR0007-002X | FERRITE BEADS | | |
| | K 553 | NQR0007-002X | FERRITE BEADS | | |
| | K 554 | NQR0007-002X | FERRITE BEADS | | |
| | K 555 | NQR0007-002X | FERRITE BEADS | | |
| | K 556 | NQR0007-002X | FERRITE BEADS | | |
| | K 557 | NQR0007-002X | FERRITE BEADS | | |

■ Electrical parts list (DVD servo board)

Block No. 03

| ▲ | Item | Parts number | Parts name | Remarks | Area | ▲ | Item | Parts number | Parts name | Remarks | Area |
|---|-------|---------------|----------------|---------|------|---|-------|--------------|-------------|---------|------|
| | K 558 | NQR0007-002X | FERRITE BEADS | | | | R 203 | NRSA63J-473X | MG RESISTOR | | |
| | K 559 | NQR0007-002X | FERRITE BEADS | | | | R 204 | NRSA63J-473X | MG RESISTOR | | |
| | K 561 | NQR0007-002X | FERRITE BEADS | | | | R 205 | NRSA63J-473X | MG RESISTOR | | |
| | K 562 | NQR0007-002X | FERRITE BEADS | | | | R 208 | NRSA63J-473X | MG RESISTOR | | |
| | K 563 | NQR0007-002X | FERRITE BEADS | | | | R 209 | NRSA63J-123X | MG RESISTOR | | |
| | K 564 | NQR0007-002X | FERRITE BEADS | | | | R 210 | NRSA63J-473X | MG RESISTOR | | |
| | K 565 | NQR0007-002X | FERRITE BEADS | | | | R 211 | NRSA63J-273X | MG RESISTOR | | |
| | K 566 | NQR0007-002X | FERRITE BEADS | | | | R 212 | NRSA63J-273X | MG RESISTOR | | |
| | K 567 | NQR0007-002X | FERRITE BEADS | | | | R 213 | NRSA63J-562X | MG RESISTOR | | |
| | K 568 | NQR0007-002X | FERRITE BEADS | | | | R 214 | NRSA63J-123X | MG RESISTOR | | |
| | K 569 | NQR0007-002X | FERRITE BEADS | | | | R 215 | NRSA63J-105X | MG RESISTOR | | |
| | K 570 | NQR0007-002X | FERRITE BEADS | | | | R 218 | NRSA63J-153X | MG RESISTOR | | |
| | K 571 | NQR0007-002X | FERRITE BEADS | | | | R 219 | NRSA63J-473X | MG RESISTOR | | |
| | K 572 | NQR0007-002X | FERRITE BEADS | | | | R 220 | NRSA63J-473X | MG RESISTOR | | |
| | K 574 | NQR0007-002X | FERRITE BEADS | | | | R 223 | NRSA63J-473X | MG RESISTOR | | |
| | K 575 | NQR0007-002X | FERRITE BEADS | | | | R 224 | NRSA63J-0R0X | MG RESISTOR | | |
| | K 576 | NQR0007-002X | FERRITE BEADS | | | | R 225 | NRSA63J-682X | MG RESISTOR | | |
| | K 577 | NQR0007-002X | FERRITE BEADS | | | | R 227 | NRSA63J-102X | MG RESISTOR | | |
| | K 578 | NQR0007-002X | FERRITE BEADS | | | | R 228 | NRSA63J-183X | MG RESISTOR | | |
| | K 579 | NQR0007-002X | FERRITE BEADS | | | | R 229 | NRSA63J-273X | MG RESISTOR | | |
| | L 1 | NQL044K-100X | INDUCTOR | | | | R 230 | NRSA63J-273X | MG RESISTOR | | |
| | Q 1 | 2SD2150/RS/-W | POW TRANSISTOR | | | | R 232 | NRSA63J-472X | MG RESISTOR | | |
| | Q 101 | 2SB1424/QR/-X | TRANSISTOR | | | | R 233 | NRSA63J-472X | MG RESISTOR | | |
| | Q 102 | 2SB1424/QR/-X | TRANSISTOR | | | | R 234 | NRSA63J-472X | MG RESISTOR | | |
| | Q 275 | DTC144EE-X | TRANSISTOR | | | | R 235 | NRSA63J-0R0X | MG RESISTOR | | |
| | R 1 | NRSA63J-100X | MG RESISTOR | | | | R 237 | NRSA63J-221X | MG RESISTOR | | |
| | R 103 | NRS125J-270X | MG RESISTOR | | | | R 238 | NRSA63J-221X | MG RESISTOR | | |
| | R 104 | NRS125J-270X | MG RESISTOR | | | | R 239 | NRSA63J-221X | MG RESISTOR | | |
| | R 107 | NRSA63J-0R0X | MG RESISTOR | | | | R 240 | NRSA63J-221X | MG RESISTOR | | |
| | R 108 | NRSA63J-183X | MG RESISTOR | | | | R 241 | NRSA63J-221X | MG RESISTOR | | |
| | R 109 | NRSA63J-0R0X | MG RESISTOR | | | | R 242 | NRSA63J-102X | MG RESISTOR | | |
| | R 110 | NRSA63J-273X | MG RESISTOR | | | | R 243 | NRSA63J-102X | MG RESISTOR | | |
| | R 111 | NRSA63J-0R0X | MG RESISTOR | | | | R 244 | NRSA63J-102X | MG RESISTOR | | |
| | R 112 | NRSA63J-273X | MG RESISTOR | | | | R 245 | NRSA63J-102X | MG RESISTOR | | |
| | R 113 | NRSA63J-682X | MG RESISTOR | | | | R 246 | NRSA63J-102X | MG RESISTOR | | |
| | R 114 | NRSA63J-102X | MG RESISTOR | | | | R 248 | NRSA63J-473X | MG RESISTOR | | |
| | R 115 | NRVA63D-243X | MG RESISTOR | | | | R 249 | NRSA63J-473X | MG RESISTOR | | |
| | R 116 | NRSA63J-393X | MG RESISTOR | | | | R 250 | NRSA63J-473X | MG RESISTOR | | |
| | R 117 | NRSA63J-123X | MG RESISTOR | | | | R 253 | NRS125J-4R7X | MG RESISTOR | | |
| | R 118 | NRSA63J-223X | MG RESISTOR | | | | R 255 | NRSA63J-123X | MG RESISTOR | | |
| | R 121 | NRSA63J-0R0X | MG RESISTOR | | | | R 256 | NRSA63J-0R0X | MG RESISTOR | | |
| | R 122 | NRSA63J-0R0X | MG RESISTOR | | | | R 257 | NRSA63J-0R0X | MG RESISTOR | | |
| | R 123 | NRSA63J-0R0X | MG RESISTOR | | | | R 271 | NRSA63J-563X | MG RESISTOR | | |
| | R 124 | NRSA63J-0R0X | MG RESISTOR | | | | R 272 | NRSA63J-103X | MG RESISTOR | | |
| | R 125 | NRSA63J-0R0X | MG RESISTOR | | | | R 273 | NRS125J-1R0X | MG RESISTOR | | |
| | R 126 | NRSA63J-0R0X | MG RESISTOR | | | | R 274 | NRSA63J-0R0X | MG RESISTOR | | |
| | R 127 | NRSA63J-222X | MG RESISTOR | | | | R 275 | NRSA63J-103X | MG RESISTOR | | |
| | R 128 | NRSA63J-105X | MG RESISTOR | | | | R 276 | NRSA63J-103X | MG RESISTOR | | |
| | R 129 | NRSA63J-105X | MG RESISTOR | | | | R 277 | NRSA63J-103X | MG RESISTOR | | |
| | R 131 | NRSA63J-822X | MG RESISTOR | | | | R 278 | NRSA63J-103X | MG RESISTOR | | |
| | R 132 | NRSA63J-103X | MG RESISTOR | | | | R 279 | NRSA63J-103X | MG RESISTOR | | |
| | R 144 | NRSA63J-333X | MG RESISTOR | | | | R 280 | NRSA63J-103X | MG RESISTOR | | |
| | R 145 | NRSA63J-103X | MG RESISTOR | | | | R 282 | NRSA63J-103X | MG RESISTOR | | |
| | R 152 | NRS125J-1R0X | MG RESISTOR | | | | R 283 | NRSA63J-103X | MG RESISTOR | | |
| | R 153 | NRS125J-4R7X | MG RESISTOR | | | | R 284 | NRSA63J-472X | MG RESISTOR | | |
| | R 155 | NRSA63J-0R0X | MG RESISTOR | | | | R 285 | NRSA63J-103X | MG RESISTOR | | |
| | R 156 | NRSA63J-333X | MG RESISTOR | | | | R 286 | NRSA63J-103X | MG RESISTOR | | |
| | R 160 | NRSA63J-0R0X | MG RESISTOR | | | | R 287 | NRSA63J-103X | MG RESISTOR | | |
| | R 161 | NRSA63J-0R0X | MG RESISTOR | | | | R 288 | NRSA63J-103X | MG RESISTOR | | |
| | R 162 | NRSA63J-0R0X | MG RESISTOR | | | | R 289 | NRSA63J-103X | MG RESISTOR | | |
| | R 163 | NRSA63J-0R0X | MG RESISTOR | | | | R 290 | NRSA63J-103X | MG RESISTOR | | |
| | R 166 | NRSA63J-182X | MG RESISTOR | | | | R 292 | NRSA63J-223X | MG RESISTOR | | |
| | R 202 | NRSA63J-473X | MG RESISTOR | | | | R 295 | NRSA63J-103X | MG RESISTOR | | |

■ Electrical parts list (DVD servo board)

Block No. 03

| △ | Item | Parts number | Parts name | Remarks | Area |
|---|-------|--------------|-------------|---------|-------------|
| | R 296 | NRSA63J-103X | MG RESISTOR | | |
| | R 297 | NRS125J-1R0X | MG RESISTOR | | |
| | R 301 | NRSA63J-473X | MG RESISTOR | | |
| | R 302 | NRSA63J-473X | MG RESISTOR | | |
| | R 303 | NRSA63J-473X | MG RESISTOR | | |
| | R 304 | NRSA63J-473X | MG RESISTOR | | |
| | R 305 | NRSA63J-473X | MG RESISTOR | | |
| | R 306 | NRSA63J-473X | MG RESISTOR | | |
| | R 307 | NRSA63J-473X | MG RESISTOR | | |
| | R 308 | NRSA63J-473X | MG RESISTOR | | |
| | R 309 | NRSA63J-103X | MG RESISTOR | | |
| | R 310 | NRSA63J-102X | MG RESISTOR | | |
| | R 311 | NRSA63J-102X | MG RESISTOR | | |
| | R 312 | NRSA63J-102X | MG RESISTOR | | |
| | R 316 | NRSA63J-105X | MG RESISTOR | | |
| | R 317 | NRSA63J-0R0X | MG RESISTOR | | |
| | R 318 | NRSA63J-0R0X | MG RESISTOR | | |
| | R 322 | NRSA63J-473X | MG RESISTOR | | |
| | R 324 | NRSA63J-473X | MG RESISTOR | | |
| | R 328 | NRSA63J-473X | MG RESISTOR | | |
| | R 342 | NRSA63J-0R0X | MG RESISTOR | | |
| | R 343 | NRSA63J-102X | MG RESISTOR | | |
| | R 345 | NRSA63J-562X | MG RESISTOR | | |
| | R 346 | NRSA63J-472X | MG RESISTOR | | |
| | R 347 | NRSA63J-102X | MG RESISTOR | | |
| | R 348 | NRSA63J-102X | MG RESISTOR | | |
| | R 349 | NRSA63J-102X | MG RESISTOR | | |
| | R 350 | NRSA63J-102X | MG RESISTOR | | |
| | R 364 | NRSA63J-0R0X | MG RESISTOR | | |
| | R 403 | NRSA63J-472X | MG RESISTOR | | |
| | R 405 | NRSA63J-472X | MG RESISTOR | | |
| | R 408 | NRSA63J-472X | MG RESISTOR | | |
| | R 410 | NRSA63J-0R0X | MG RESISTOR | | |
| | R 411 | NRSA63J-472X | MG RESISTOR | | |
| | R 412 | NRSA63J-103X | MG RESISTOR | | |
| | R 413 | NRSA63J-472X | MG RESISTOR | | |
| | R 414 | NRSA63J-472X | MG RESISTOR | | |
| | R 415 | NRSA63J-472X | MG RESISTOR | | |
| | R 416 | NRSA63J-472X | MG RESISTOR | | |
| | R 417 | NRSA63J-472X | MG RESISTOR | | |
| | R 418 | NRSA63J-472X | MG RESISTOR | | |
| | R 421 | NRSA63J-0R0X | MG RESISTOR | | UB,UF,US,3U |
| | R 422 | NRSA63J-0R0X | MG RESISTOR | | UB,UF,1U |
| | R 422 | NRSA63J-0R0X | MG RESISTOR | | 2U,4U |
| | R 423 | NRSA63J-0R0X | MG RESISTOR | | A,UB,1U,4U |
| | R 424 | NRSA63J-0R0X | MG RESISTOR | | US,1U,2U,3U |
| | R 431 | NRSA63J-472X | MG RESISTOR | | |
| | R 432 | NRSA63J-472X | MG RESISTOR | | |
| | R 501 | NRSA63J-102X | MG RESISTOR | | |
| | R 502 | NRSA63J-222X | MG RESISTOR | | |
| | R 504 | NRSA63J-330X | MG RESISTOR | | |
| | R 505 | NRSA63J-330X | MG RESISTOR | | |
| | R 506 | NRSA63J-330X | MG RESISTOR | | |
| | R 507 | NRSA63J-330X | MG RESISTOR | | |
| | R 508 | NRSA63J-330X | MG RESISTOR | | |
| | R 509 | NRSA63J-330X | MG RESISTOR | | |
| | R 510 | NRSA63J-330X | MG RESISTOR | | |
| | R 511 | NRSA63J-330X | MG RESISTOR | | |
| | R 512 | NRSA63J-330X | MG RESISTOR | | |
| | R 513 | NRSA63J-330X | MG RESISTOR | | |
| | R 514 | NRSA63J-330X | MG RESISTOR | | |
| | R 515 | NRSA63J-330X | MG RESISTOR | | |
| | R 516 | NRSA63J-330X | MG RESISTOR | | |

| △ | Item | Parts number | Parts name | Remarks | Area |
|---|-------|--------------|--------------|------------|------|
| | R 517 | NRSA63J-330X | MG RESISTOR | | |
| | R 518 | NRSA63J-330X | MG RESISTOR | | |
| | R 519 | NRSA63J-330X | MG RESISTOR | | |
| | R 520 | NRSA63J-330X | MG RESISTOR | | |
| | R 521 | NRSA63J-330X | MG RESISTOR | | |
| | R 522 | NRSA63J-330X | MG RESISTOR | | |
| | R 523 | NRSA63J-181X | MG RESISTOR | | |
| | R 524 | NRSA63J-181X | MG RESISTOR | | |
| | R 525 | NRSA63J-181X | MG RESISTOR | | |
| | R 526 | NRSA63J-181X | MG RESISTOR | | |
| | R 527 | NRSA63J-181X | MG RESISTOR | | |
| | R 528 | NRSA63J-181X | MG RESISTOR | | |
| | R 529 | NRSA63J-181X | MG RESISTOR | | |
| | R 530 | NRSA63J-181X | MG RESISTOR | | |
| | R 531 | NRSA63J-330X | MG RESISTOR | | |
| | R 532 | NRSA63J-0R0X | MG RESISTOR | | |
| | R 533 | NRSA63J-330X | MG RESISTOR | | |
| | R 534 | NRSA63J-330X | MG RESISTOR | | |
| | R 535 | NRSA63J-330X | MG RESISTOR | | |
| | R 536 | NRSA63J-330X | MG RESISTOR | | |
| | R 537 | NRSA63J-330X | MG RESISTOR | | |
| | R 538 | NRSA63J-330X | MG RESISTOR | | |
| | R 539 | NRSA63J-330X | MG RESISTOR | | |
| | R 540 | NRSA63J-330X | MG RESISTOR | | |
| | R 541 | NRSA63J-0R0X | MG RESISTOR | | |
| | R 542 | NRSA63J-0R0X | MG RESISTOR | | |
| | R 543 | NRSA63J-0R0X | MG RESISTOR | | |
| | R 544 | NRSA63J-0R0X | MG RESISTOR | | |
| | R 545 | NRSA63J-472X | MG RESISTOR | | |
| | R 547 | NRSA63J-222X | MG RESISTOR | | |
| | R 548 | NRSA63J-332X | MG RESISTOR | | |
| | R 550 | NRSA63J-0R0X | MG RESISTOR | | |
| | R 564 | NRVA63D-152X | MG RESISTOR | | |
| | R 565 | NRVA63D-332X | MF RESISTOR | | |
| | R 571 | NRSA63J-100X | MG RESISTOR | | |
| | R 572 | NRSA63J-181X | MG RESISTOR | | |
| | R 573 | NRSA63J-181X | MG RESISTOR | | |
| | R 574 | NRSA63J-181X | MG RESISTOR | | |
| | R 575 | NRSA63J-181X | MG RESISTOR | | |
| | R 576 | NRSA63J-181X | MG RESISTOR | | |
| | R 577 | NRSA63J-181X | MG RESISTOR | | |
| | R 578 | NRSA63J-181X | MG RESISTOR | | |
| | R 579 | NRSA63J-181X | MG RESISTOR | | |
| | R 580 | NRSA63J-181X | MG RESISTOR | | |
| | R 581 | NRSA63J-101X | MG RESISTOR | | |
| | R 582 | NRSA63J-181X | MG RESISTOR | | |
| | R 586 | NRVA63D-122X | MG RESISTOR | | |
| | R 587 | NRVA63D-122X | MG RESISTOR | | |
| | R 588 | NRVA63D-102X | CMF RESISTOR | | |
| | R 589 | NRVA63D-102X | CMF RESISTOR | | |
| | X 301 | NAX0375-001X | CRYSTAL | 16.9344MHZ | |
| | X 401 | NAX0331-001X | C RESONATOR | | |

■ Electrical parts list (Relay board)

Block No. 04

| △ | Item | Parts number | Parts name | Remarks | Area |
|---|-------|---------------|-----------------|--------------|------|
| | C 13 | NCS31HJ-101X | C CAPACITOR | | |
| | CN 10 | QGF0501F4-40X | FFC/FPC CONNE | FOR MAIN | |
| | CN 12 | QGF1012F1-30X | FPC CONNE | FOR P.U | |
| | IC 1 | GP2S60B-X | IC(PHOTO COUPLE | | |
| | K 10 | NQR0265-003X | FERRITE BEADS | | |
| | K 11 | NQR0265-003X | FERRITE BEADS | | |
| | K 12 | NQR0265-003X | FERRITE BEADS | | |
| | K 13 | NQR0265-003X | FERRITE BEADS | | |
| | K 14 | NQR0265-003X | FERRITE BEADS | | |
| | K 15 | NQR0265-003X | FERRITE BEADS | | |
| | K 16 | NQR0265-003X | FERRITE BEADS | | |
| | K 17 | NQR0265-003X | FERRITE BEADS | | |
| | K 18 | NQR0265-003X | FERRITE BEADS | | |
| | R 10 | NRSA63J-391X | MG RESISTOR | | |
| | R 11 | NRSA63J-910X | MG RESISTOR | | |
| | R 12 | NRSA63J-911X | MG RESISTOR | | |
| | S 10 | QSW0620-001 | SWITCH | REST SWITCH | |
| | S 11 | NSW0127-001X | SLIDE SWITCH | SHORT SWITCH | |

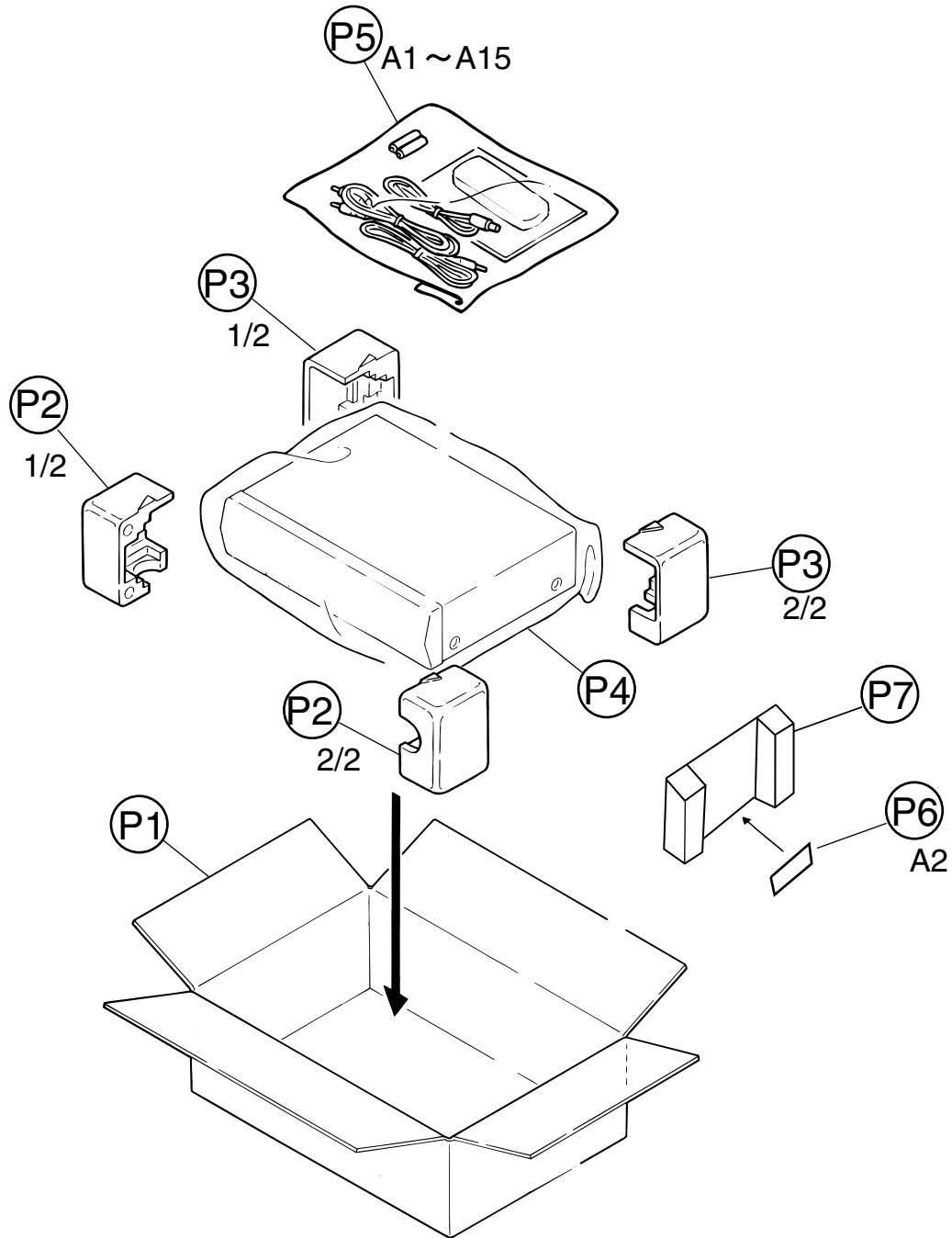
Packing materials and accessories parts list

Block No.

| | | | |
|---|---|---|---|
| M | 4 | M | M |
|---|---|---|---|

Block No.

| | | | |
|---|---|---|---|
| M | 5 | M | M |
|---|---|---|---|



■ Parts list (Packing)

Block No. M4MM

| △ | Item | Parts number | Parts name | Q'ty | Description | Area |
|---|------|--------------|---------------|------|----------------|-------------|
| | P 1 | LV20711-010A | CARTON BOX | 1 | | A |
| | | LV20711-007A | CARTON BOX | 1 | XV-523GD | UF |
| | | LV20711-006A | CARTON BOX | 1 | | 4U |
| | | LV20711-005A | CARTON BOX | 1 | | UB |
| | | LV20711-004A | CARTON BOX | 1 | XV-523GD | US,3U |
| | | LV20711-003A | CARTON BOX | 1 | | 2U |
| | | LV20708-006A | CARTON BOX | 1 | XV-521BK | 3U |
| | | LV20708-008A | CARTON BOX | 1 | XV-521BK | UF |
| | | LV20708-005A | CARTON BOX | 1 | | 1U |
| | P 2 | LV20713-001A | CUSHION(F) | 1 | | UF |
| | | LV20699-001A | CUSHION(F) | 1 | | 1U,2U,3U,4U |
| | | LV20699-001A | CUSHION(F) | 1 | | A,UB,US |
| | P 3 | LV20700-001A | CUSHION(R) | 1 | | A,UB,US |
| | | LV20700-001A | CUSHION(R) | 1 | | 1U,2U,3U,4U |
| | | LV20714-001A | CUSHION(R) | 1 | | UF |
| | P 4 | QPC06005515P | POLY BAG | 1 | FOR SET | |
| | P 5 | QPC02504015P | POLY BAG | 1 | FOR ACC,INST | |
| | P 6 | QPC02503510P | POLY BAG | 1 | FOR POWER CORD | A,UB |
| | P 7 | LV32012-001A | PACKING SHEET | 1 | | A,UB |

■ Parts list (Accessories)

Block No. M5MM

| △ | Item | Parts number | Parts name | Q'ty | Description | Area |
|---|------|----------------|-----------------|------|-------------|-------------|
| | A 1 | LVT0435-019A | INST.BOOK | 1 | ENG,CHI | UB |
| | | LVT0435-017A | INST.BOOK | 1 | ENG | A |
| | | LVT0435-015A | INST.BOOK | 1 | ENG,CHI | US |
| | | LVT0435-014A | INST.BOOK | 1 | ENG,SPA,POR | 4U |
| | | LVT0435-013A | INST.BOOK | 1 | ENG,CHI | 3U |
| | | LVT0435-012A | INST.BOOK | 1 | ENG,ARA | 2U |
| | | LVT0435-011A | INST.BOOK | 1 | ENG | 1U |
| | | LVT0435-018A | INST BOOK | 1 | CHI | UF |
| △ | A 2 | QMPS020-183-JC | POWER CORD | 1 | | UF |
| △ | | QMP39F0-183E | POWER CORD | 1 | | US,1U,3U,4U |
| △ | | QMP25D0-183 | POWER CORD | 1 | | A |
| △ | | QMPS060-160-E2 | POWER CORD | 1 | | 2U |
| △ | | QMPP060-183-JD | POWER CORD | 1 | | UB |
| | A 3 | BT-56002-2 | SVC CENTER LIST | 1 | | A |
| | | BT-59009-1 | SVC CENTER LIST | 1 | | UF |
| | A 4 | BT-56001-2 | WARRANTY CARD | 1 | | A |
| | | BT-59007-2 | WARRANTY CARD | 1 | | UF |
| | A 5 | PEAC0359-120 | AV CORD 3P | 1 | AV CORD | |
| | A 6 | QAM0005-002 | S-VIDEO CORD | 1 | S-VIDEO | |
| | A 7 | EWP805-014 | 1P PLUG CORD(JE | 1 | | |
| | A 8 | RM-SXV521J | REMOCON | 1 | | 1U |
| | | RM-SXV521U | REMOCON | 1 | XV-521BK | UF,3U |
| | | RM-SXV523U | REMOCON | 1 | XV-523GD | |
| | A 9 | ----- | BATTERY | 1 | FOR REMOCON | |
| △ | A 11 | QAM0112-001 | AC PLUG ADAPTER | 1 | | US,1U,3U,4U |
| | A 12 | BT-51020-2 | REGISTER CARD | 1 | | 1U |
| | A 13 | YU20333 | SAFETY SHEET | 1 | | 1U |
| | A 14 | LV30258-068A | UB SHEET | 1 | | UB |
| | A 15 | QAM0027-001 | SIEMENS PLUG | 1 | | 2U |